



Acecells Instrument(ZJ)Co.,Ltd.

Aluminum High Capacity Single-Point Load Cell

Special features

- OIML R60 approved
- NTEP HB44 approved
- Max. capacities: 100kg ~ 750kg
- Off center load compensated (OIML R76)
- Max. platform size: 460 x 600mm
- IP65 protection
- Aluminum construction

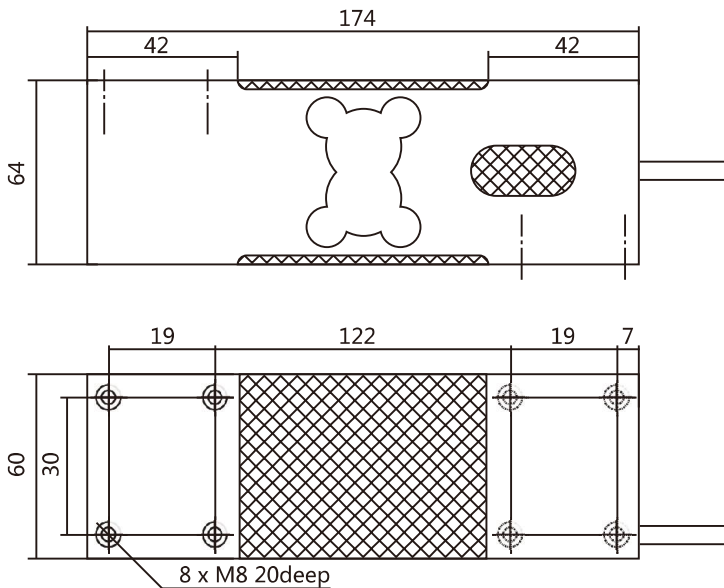


Model WL1263

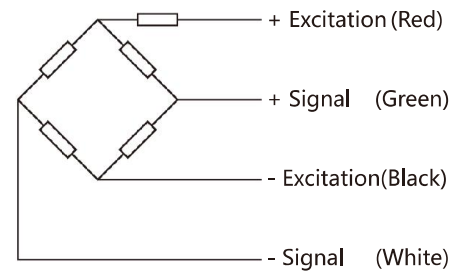
Optional

- Reduced minimum LC verification interval (Vmin) for multi-range applications

Outline dimensions (in millimeters)



Wiring Schematic Diagram



Aluminum High Capacity Single-Point Load Cell

Specifications					
Parameter	Value				Units
Accuracy class	C3、C3MR				
Maximum number of LC intervals (n _{max})	3000、2×3000				
Maximum capacity (E _{max})	100	250	500	750	kg
Min. LC verification interval (v _{min}) (C3)	20	50	100	150	g
Temp. effect on zero balance (C3)	± 0.0028	± 0.0028	± 0.0028	± 0.0028	% of E _{max} /°C
Min. LC verification interval (v _{min}) (C3MR)	10	20	50	75	g
Temp. effect on zero balance (C3MR)	± 0.0014	± 0.00112	± 0.0014	± 0.0014	% of E _{max} /°C
Zero balance	± 0.1				mV/V
Rated output	2.0				mV/V
Rated output tolerance	± 0.2				mV/V
Temp. effect on rated output +20 ~ +40°C	± 0.00175				% of AL/°C
-10 ~ +20°C	± 0.00117				
Hysteresis error	± 0.0166				% of E _{max}
Non-linearity error	± 0.0166				% of E _{max}
Min. dead load output return	± 0.0166				% of AL
Offer center load error (OIML R76 3000e)	± 0.0037	± 0.0037	± 0.0037	± 0.0037	% of AL/cm
Offer center load error (OIML R76 2×3000e)	± 0.0019	± 0.0015	± 0.0019	± 0.0019	% of AL/cm
Input resistance	404 ± 15				Ω
Output resistance	350 ± 3				Ω
Insulation resistance @50VDC	> 2000				MΩ
Excitation voltage, recommended	10				V AC/DC
Excitation voltage, maximum	15				V AC/DC
Temperature compensation range	-10 to +40				°C
Operating temperature range	-10 to +50				°C
Safe storage temperature range	-25 to +70				°C
Safe load limit	150				% of E _{max}
Ultimate load limit	300				% of E _{max}
Cable length	2.0				m
Cable type	4-wire, PVC				
Construction	Aluminum				
Coating	Silicone rubber over gage				
Protection class	IP65				
Maximum platform size	460 x 600				mm
Recommended torque	up to 300kg: 25 / above 300kg: 30				N.m

Notes:

The values for linearity, hysteresis and temp. effect on rated output are recommended values, the sum of these data meets the requirements according to OIML R60.

Aluminum High Capacity Single-Point Load Cell

Specifications				
Parameter	Value			Units
Accuracy class	C5			
Maximum number of LC intervals (n_{max})	5000			
Maximum capacity (E_{max})	100	200	750	kg
Min. LC verification interval (v_{min})	10	20	50	g
Temp. effect on zero balance	± 0.0014	± 0.0014	± 0.0014	% of $E_{max}/^{\circ}C$
Zero balance	± 0.1			mV/V
Rated output	2.0			mV/V
Rated output tolerance	± 0.2			mV/V
Temp. effect on rated output +20 ~ +40°C	± 0.00105			% of AL/ $^{\circ}C$
-10 ~ +20°C	± 0.00070			
Hysteresis error	± 0.0083			% of E_{max}
Non-linearity error	± 0.0083			% of E_{max}
Min. dead load output return	± 0.0100			% of AL
Offer center load error (OIML R76 5000e)	± 0.0022			% of AL/cm
Maximum platform size	460 x 600			mm
Recommended torque	up to 300kg: 25 / above 300kg: 30			N.m

Notes:

The values for linearity, hysteresis and temp. effect on rated output are recommended values, the sum of these data meets the requirements according to OIML R60.



OIML Certificate of Conformity

OIML Member State
The Netherlands

Number R60/2000-NL1-14.06
Project number 13200570
Page 1 of 2

Issuing authority	NMi Certin B.V. Person responsible: C. Oosterman
Applicant and Manufacturer	Acecells Instruments (ZJ) Co.Ltd. No.123 Zhenning West Road, Jiaochuan Street, Zhenhai District, Ningbo China
Identification of the certified type	A single point load cell , with strain gauges. Type : WL1260 and WL1263.
Characteristics	See next page

This Certificate attests the conformity of the above identified Type (represented by the sample(s) identified in the OIML Test Report) with the requirements of the following Recommendation of the International Organization of Legal Metrology (OIML):

OIML R60 - Edition 2000 (E) for accuracy class C

This Certificate relates only to the metrological and technical characteristics of the type of measuring instrument covered by the relevant OIML International Recommendation above-identified. This Certificate does not bestow any form of legal international approval.

Important note: Apart from the mention of the Certificate's reference number and the name of the OIML Member State in which the Certificate was issued, partial quotation of the Certificate and of the associated OIML Test Report(s) is not permitted, although either may be reproduced in full.

Issuing Authority **NMi Certin B.V., OIML Issuing Authority NL1**
6 June 2014



C. Oosterman
Head Certification Board

NMi Certin B.V.
Hugo de Grootplein 1
3314 EG Dordrecht
the Netherlands
T +31 78 6332332
certin@nmi.nl
www.nmi.nl

This document is issued under the provision that no liability is accepted and that the applicant shall indemnify third-party liability.

The notification of NMi Certin B.V. as Issuing Authority can be verified at www.oiml.org

Parties concerned can lodge objection against this decision, within six weeks after the date of submission, to the general manager of NMi (see www.nmi.nl).





OIML Certificate of Conformity

OIML Member State
The Netherlands

Number R60/2000-NL1-14.06
Project number 13200570
Page 2 of 2

The conformity was established by the results of tests and examinations provided in the associated OIML Test Report(s):

- No. NMI-13200570-01 dated 27 May 2014 that includes 51 pages.

Characteristics of the load cell:

Maximum capacity (E_{max})	150 kg up to and including 750 kg
Minimum dead load	0 kg
Accuracy Class	C
Rated Output	2,2 mV/V
Maximum number of load cell intervals (n)	4500
Ratio of minimum LC Verification interval $Y = E_{max} / v_{min}$	14000
Ratio of minimum dead load output return $Z = E_{max} / (2 * DR)$	4800
Input impedance	400 $\Omega \pm 10 \Omega$
Temperature range	-10 °C / +40 °C
Fraction p_{LC}	0,7
Humidity Class	CH
Safe overload	150% of E_{max}
Output impedance	350 $\Omega \pm 3 \Omega$
Recommended excitation	10 V AC / DC
Excitation maximum	15 V AC / DC
Transducer material	Aluminium
Atmospheric protection	IP65

The characteristics for n_{max} and Y can be reduced separately. Z is proportional or equal to n_{max} .

Each produced load cell is provided with an accompanying document with information about its characteristics.