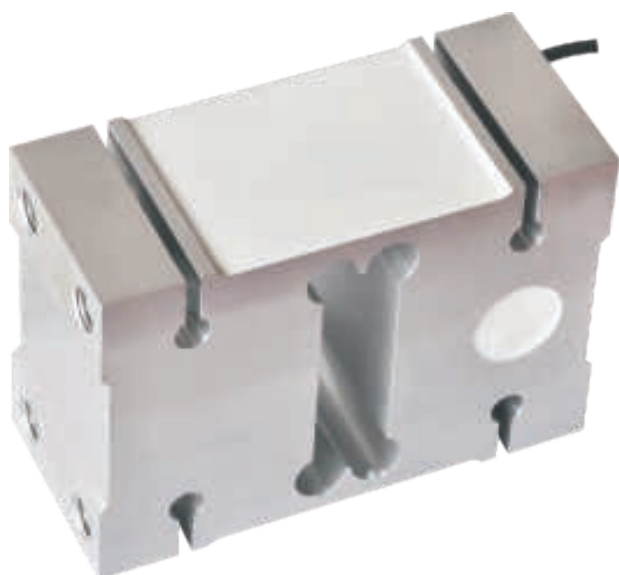


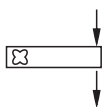
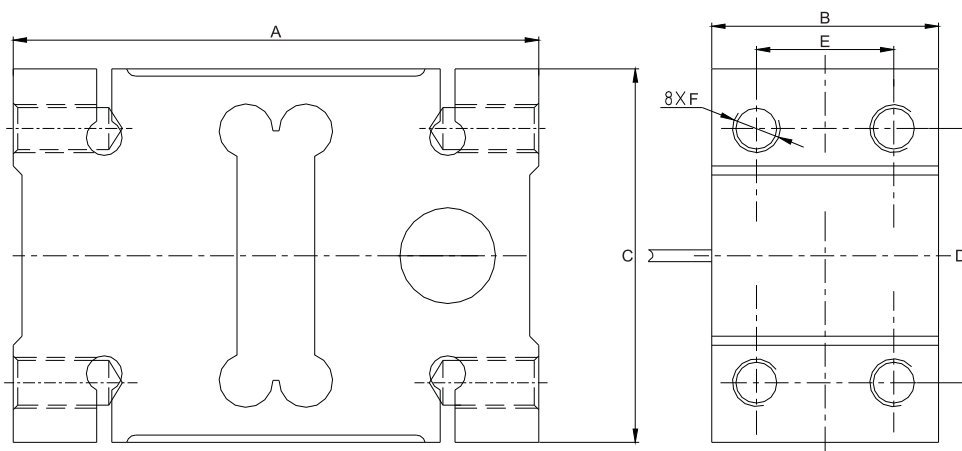


**XSB Load cell**

**XSB**



Rated Load (kg)	A	B	C	D	E	F
50 ~ 200	156	44	75	50	24	M12
300 ~ 500	146	60	95	70	36	M12
750 ~ 2000	176	76	125	95	46	M16



Platform scale, all kinds of compression testing devices

**TECHNICAL PARAMETER**

OAP version 4Wires:Exc+(Blue);Exc-(Black);Sig+(White);Sig-(Red)

Rated capacities(Emax)	50,100,200,300,500,750kg;1t,2t;	Temperature range, compensated	-10°C~+40°C
Sensitivity	2.0±0.2mV/V	Temperature range, operating	-20°C~+50°C
Accuracy class		Maximum safe overload	150%Emax
Creep error (30min)	±166ppm	Ultimate overload	300%Emax
Zero balance	±3%Emax	Excitation, recommended	10V DC
TC ZERO	±17.5ppm/°C	Excitation, maximum	15V DC
TC SPAN	+20°C~+40°C, ±17.5ppm/°C	Protection class	IP65
	-10°C~+20°C, ±11.67ppm/°C	Construction	铝合金Aluminium
Input resistance	404 ± 15Ω	Cable	3m@ φ 5mm
Output resistance	350 ± 3Ω		
Insulation resistance	≥2000 MΩ (50V DC)	Installation torque, recommended	35N · m
Max platform size	50 ~ 200kg 600 × 600mm	300 ~ 500kg 600 × 800mm	750 ~ 2000kg 1200 × 1200mm