

TOINAK[®]
Qualitative Solutions For Farms

HOOFF TRIMMING
MACHINE



Painless and Healthy Care of Different Size of Cattles

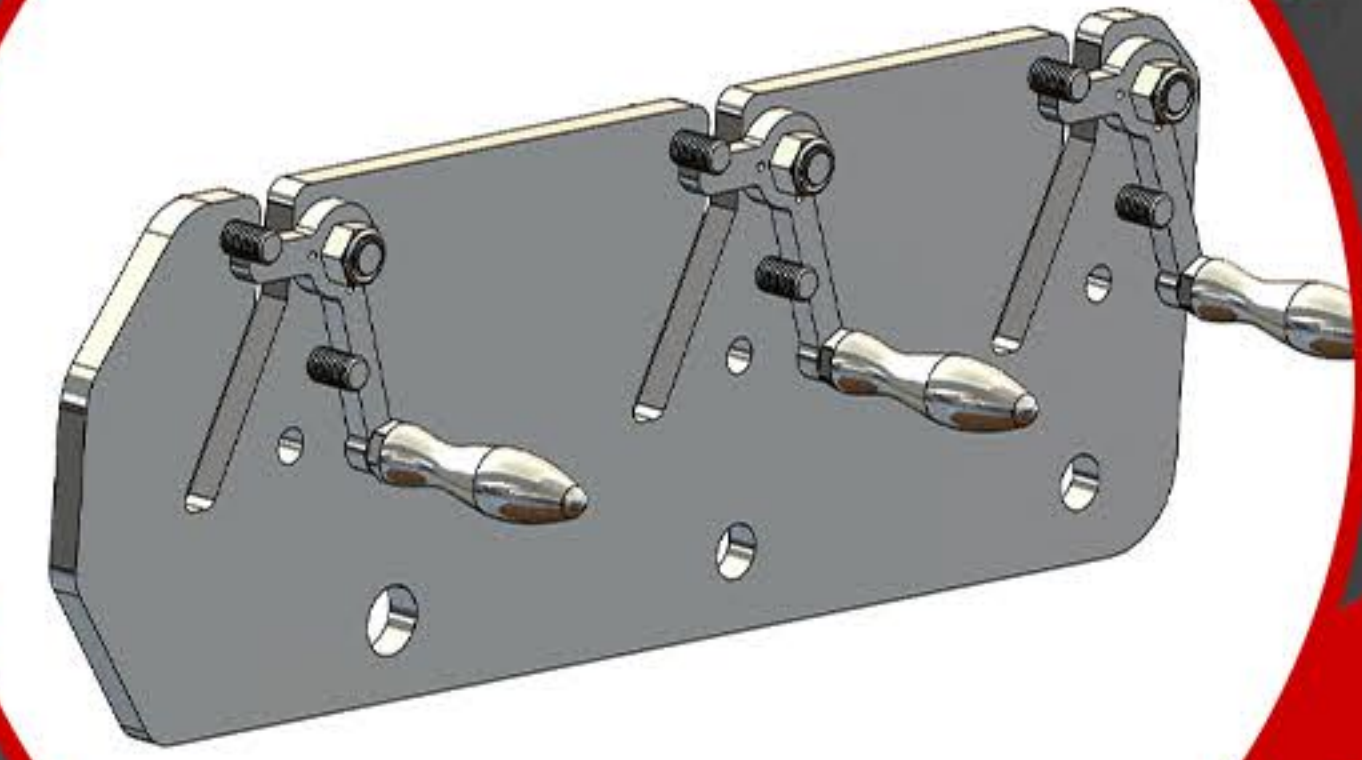
Selectable "Cow closure chain channels" according to animal size

USE

"Cow closure chain" can be put on appropriate channel very easily.

Chain will be stay locked in the channel, until it is released arbitrarily

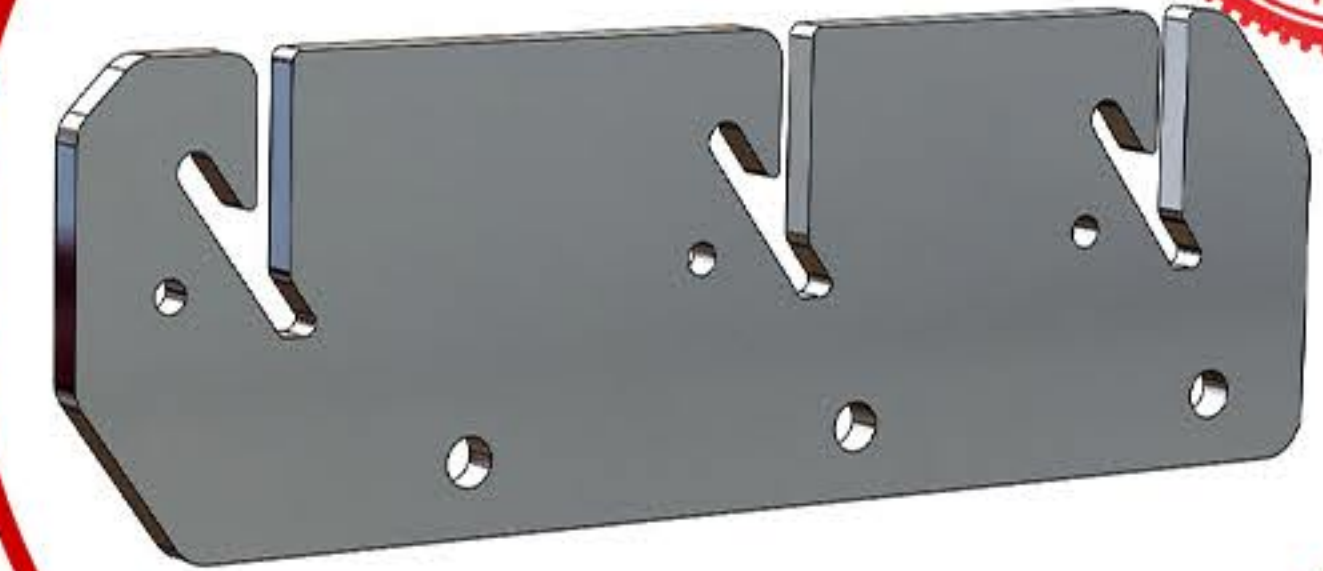
LATCHTOR



Chain holder with Latch(es)

OR

TRAPTOR



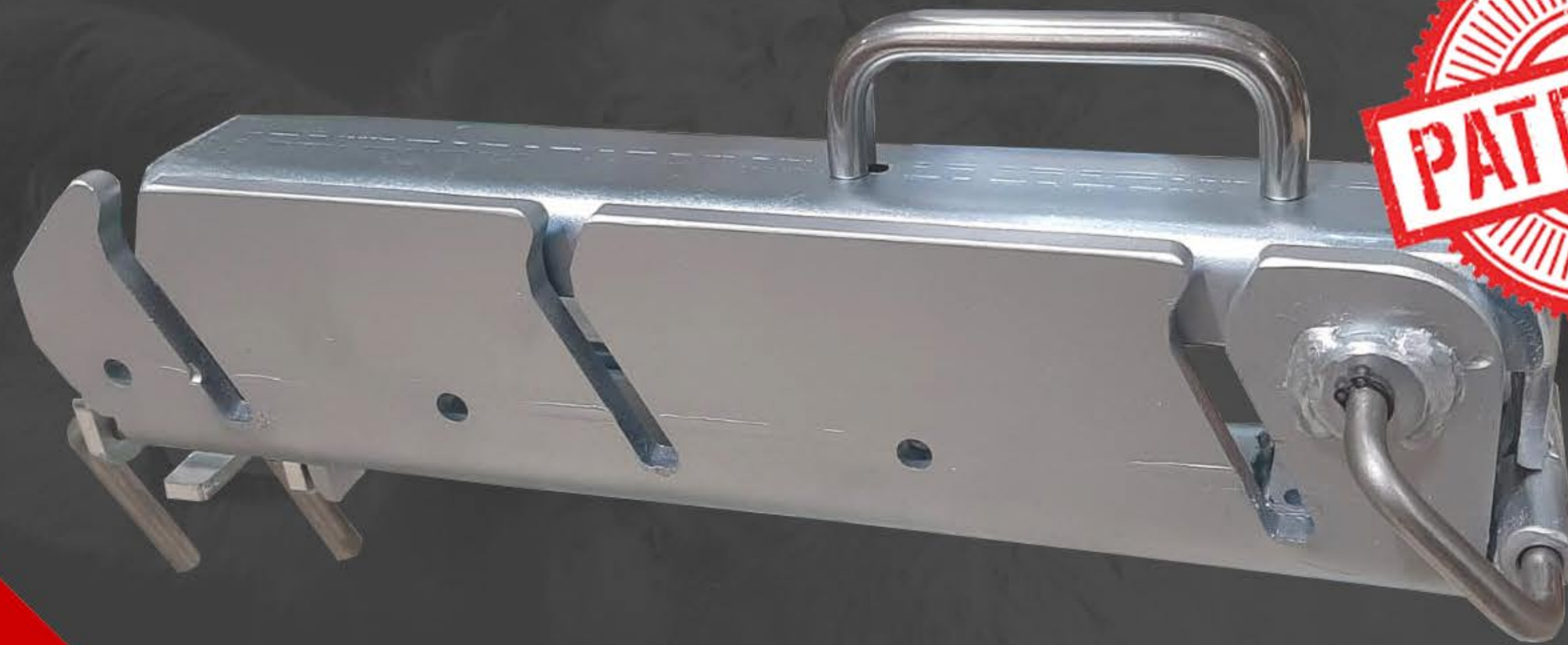
Chain holder with Trap

CLAMPTOR

Cow Closure Chain

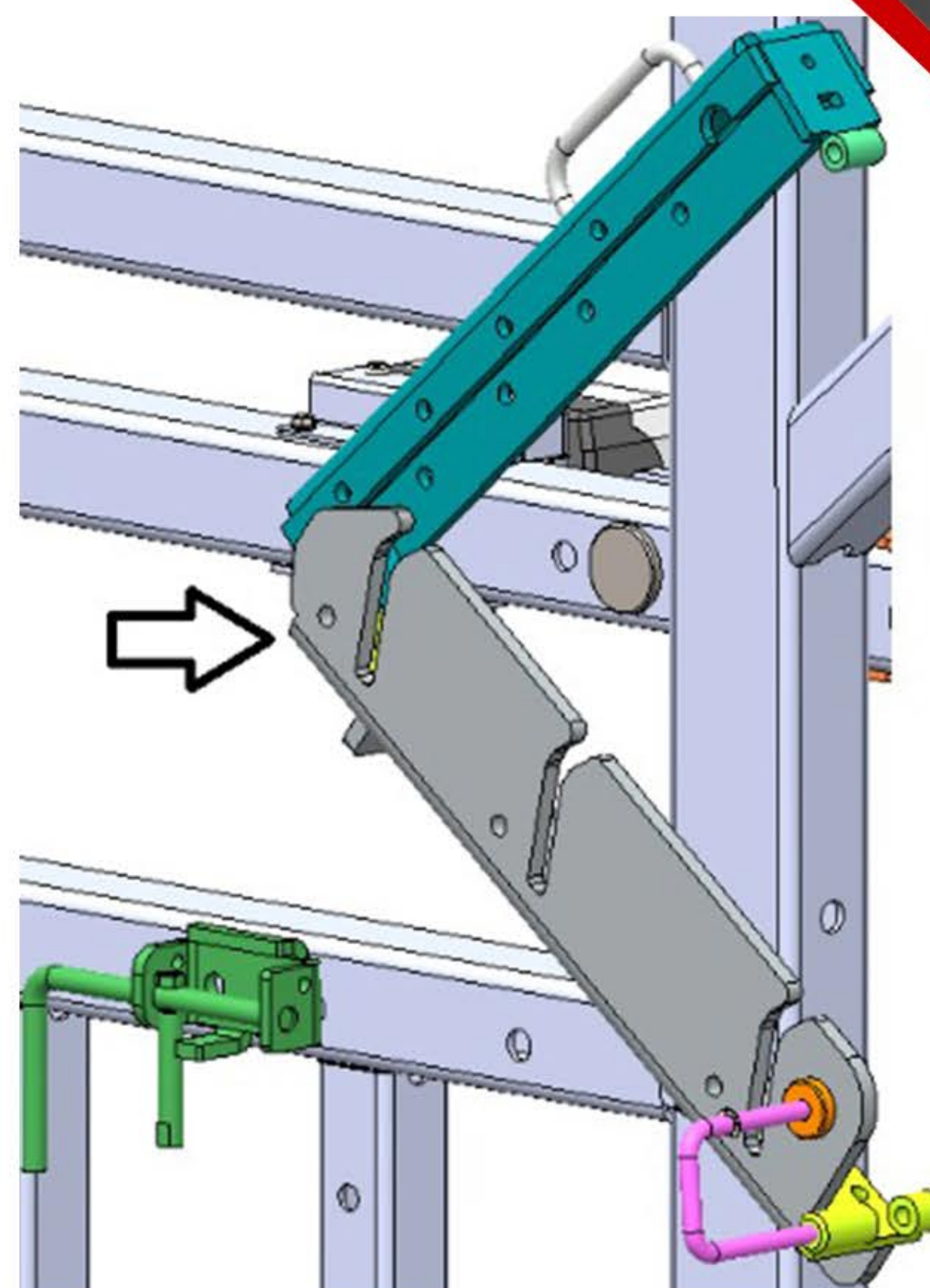
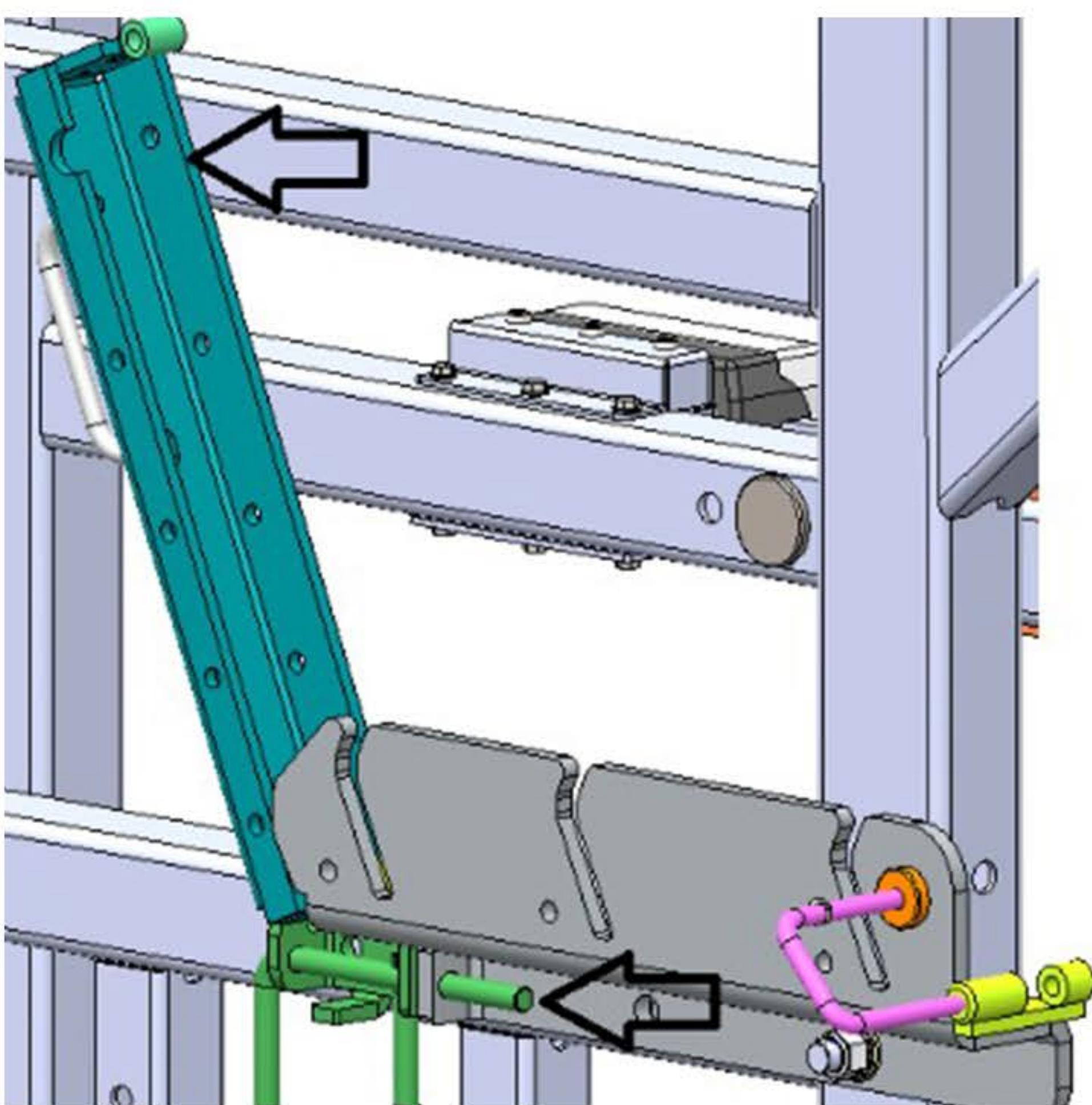
CLAMPTOR

“Chain Clamping Tool” (CLAMPTOR)
fix the cow closer chain at the left side.



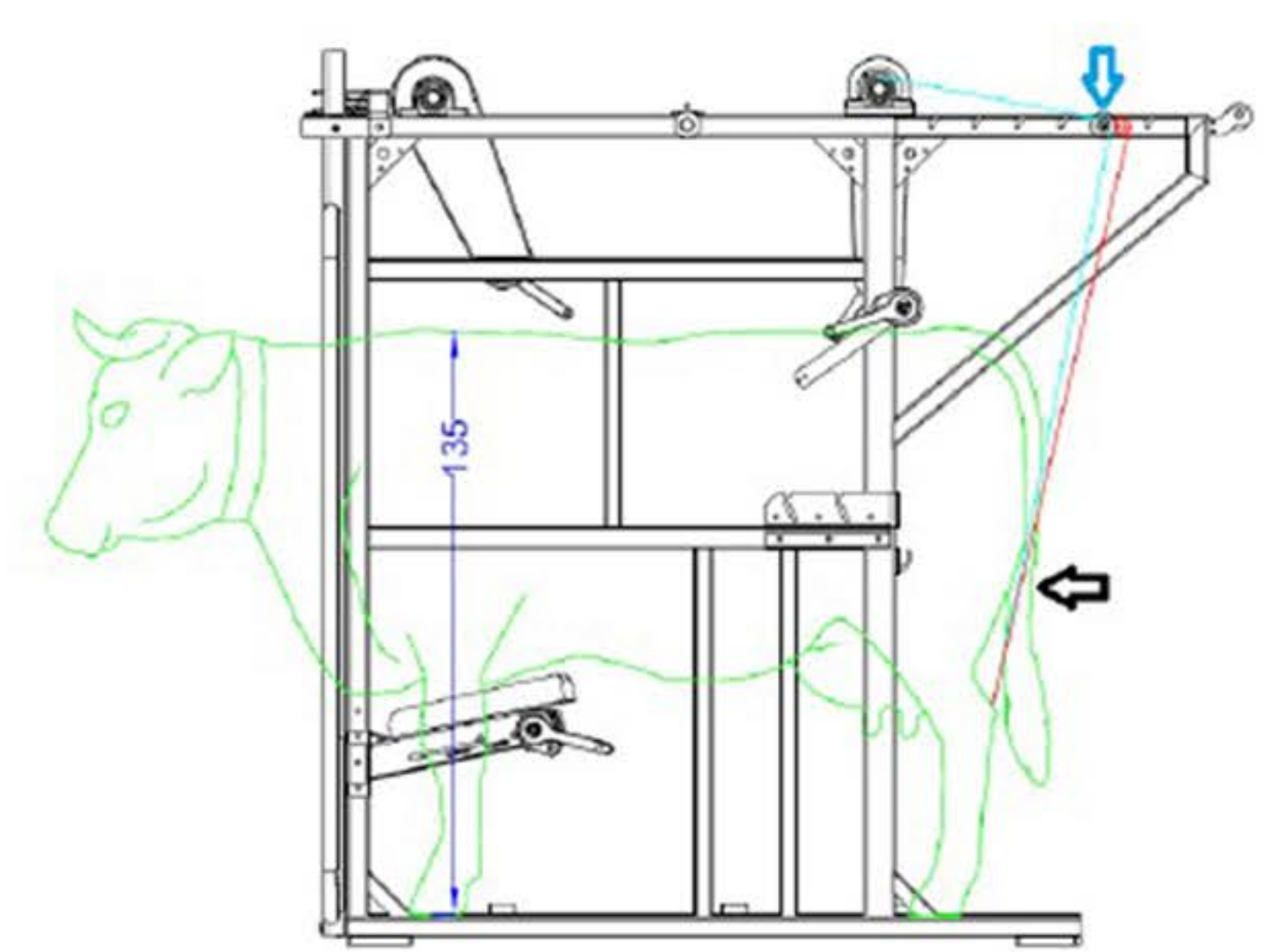
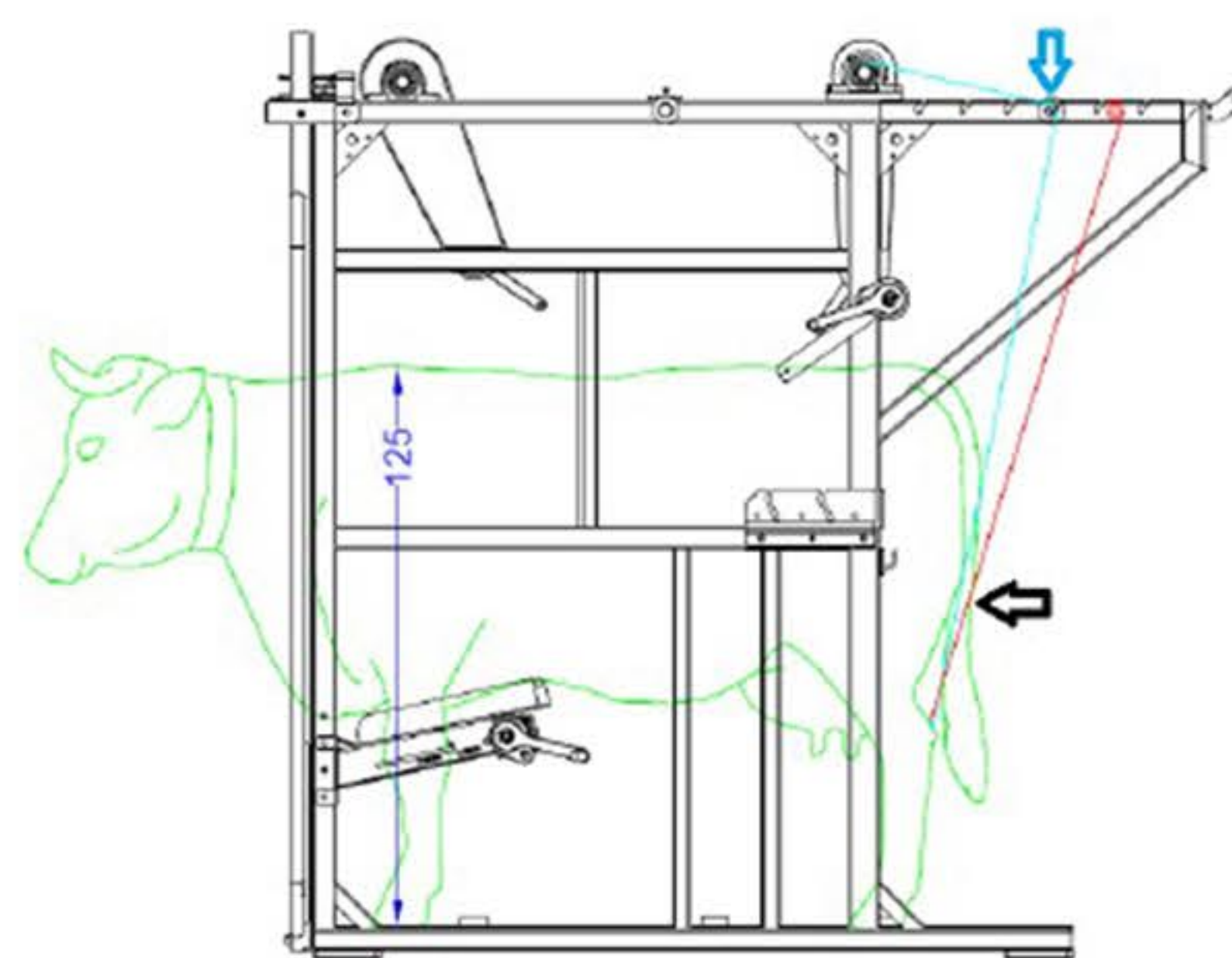
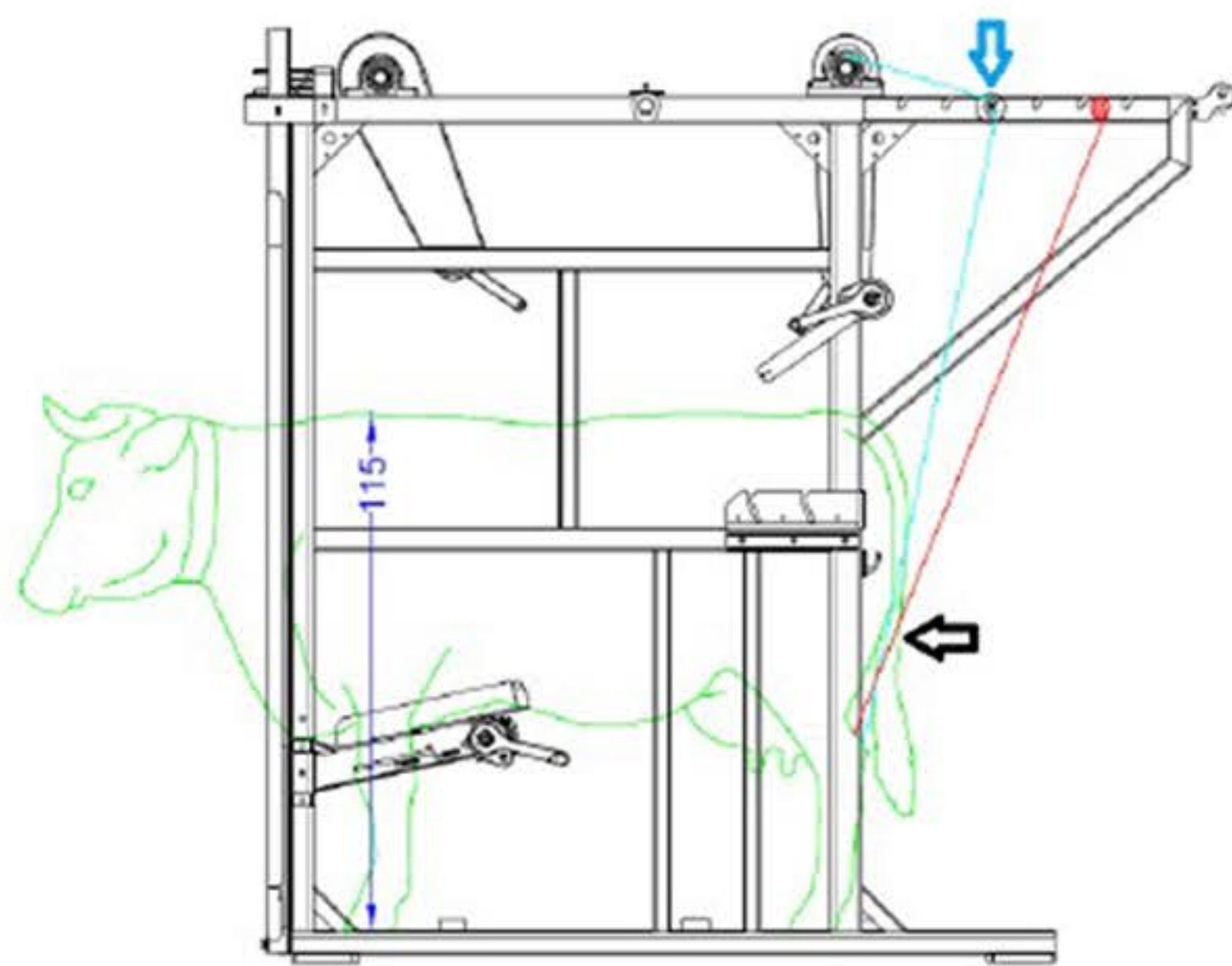
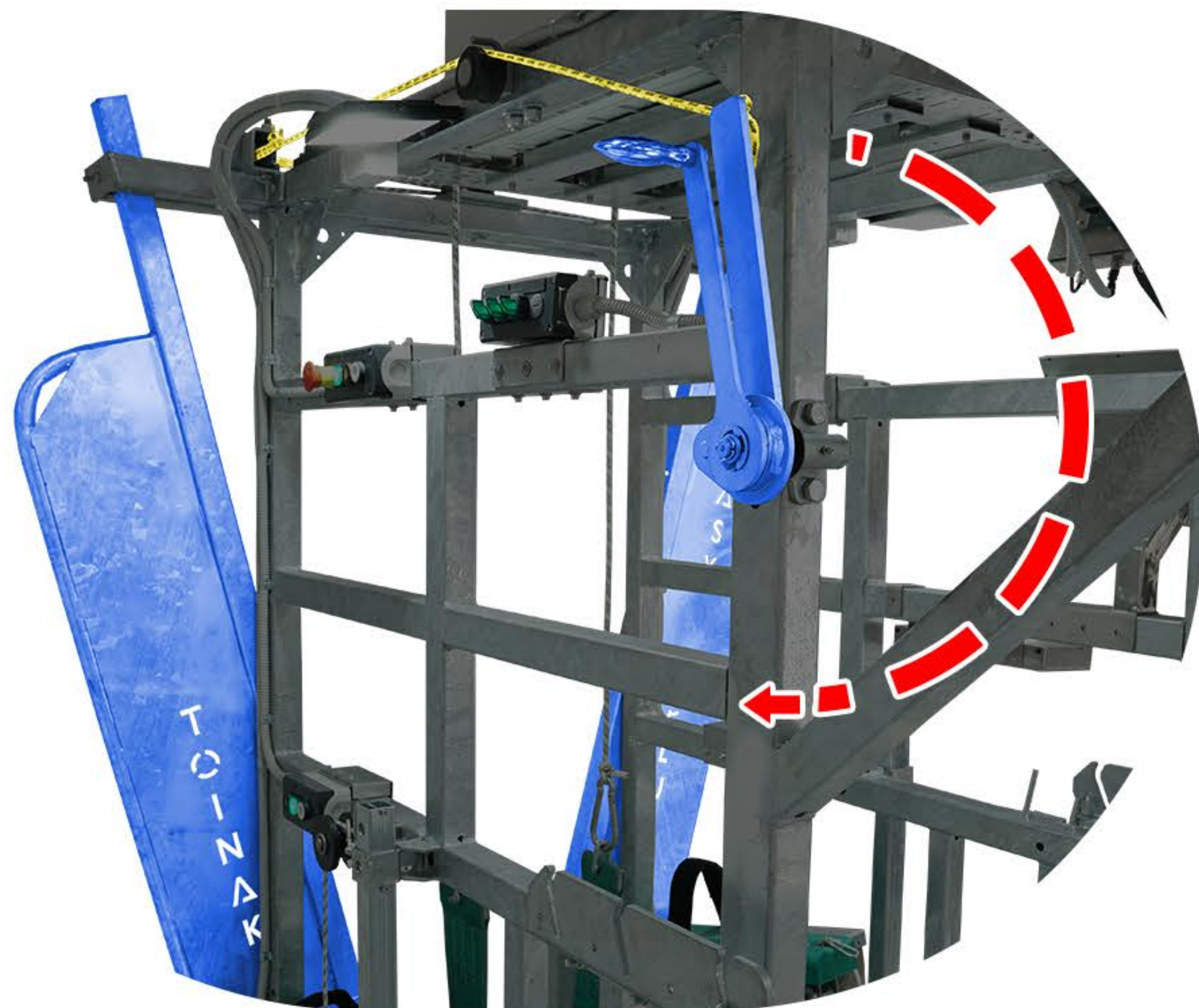
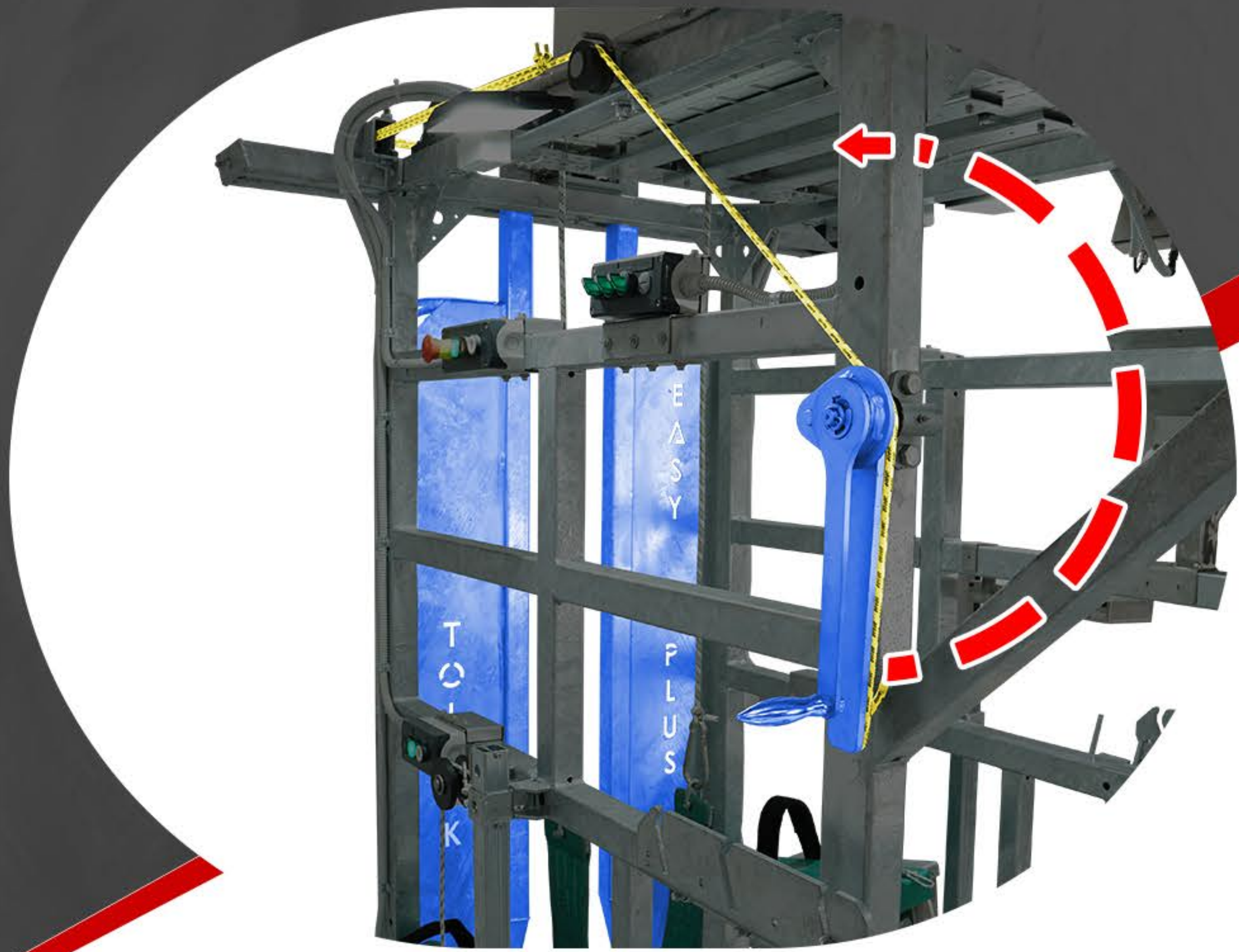
Chain Clamping Cover can be opened and chain can be removed quickly at urgency manual without any tool

How Does Work Clamptor (Chain Clamping Tool)



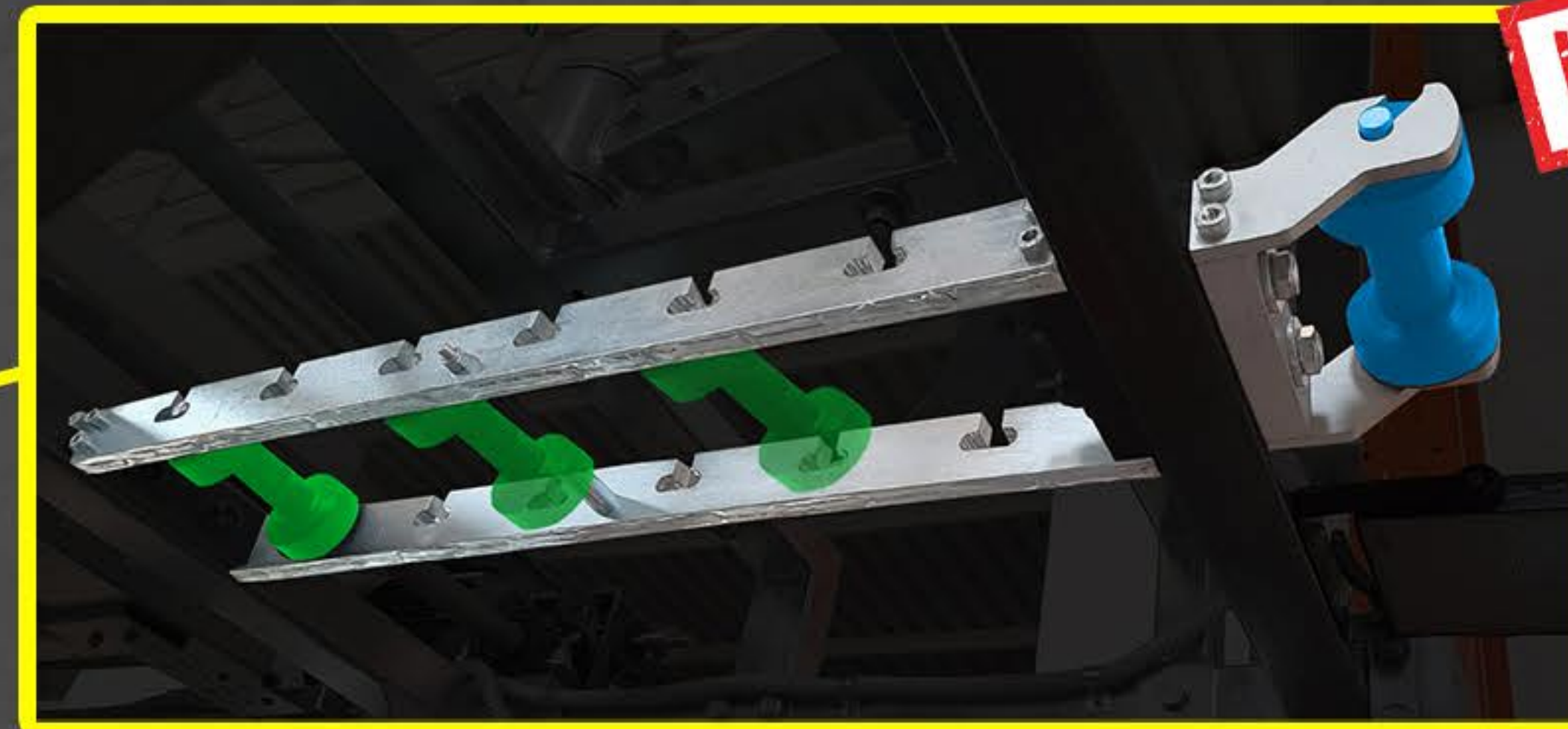
Doors at the front side can be opened and closed from back side.

And so, one person can operate all tasks include putting the cow in.



Multi Channel Reel Carrier (MCR-CARRIER) For Hind Leg Fixing Rope

MCR-Carrier



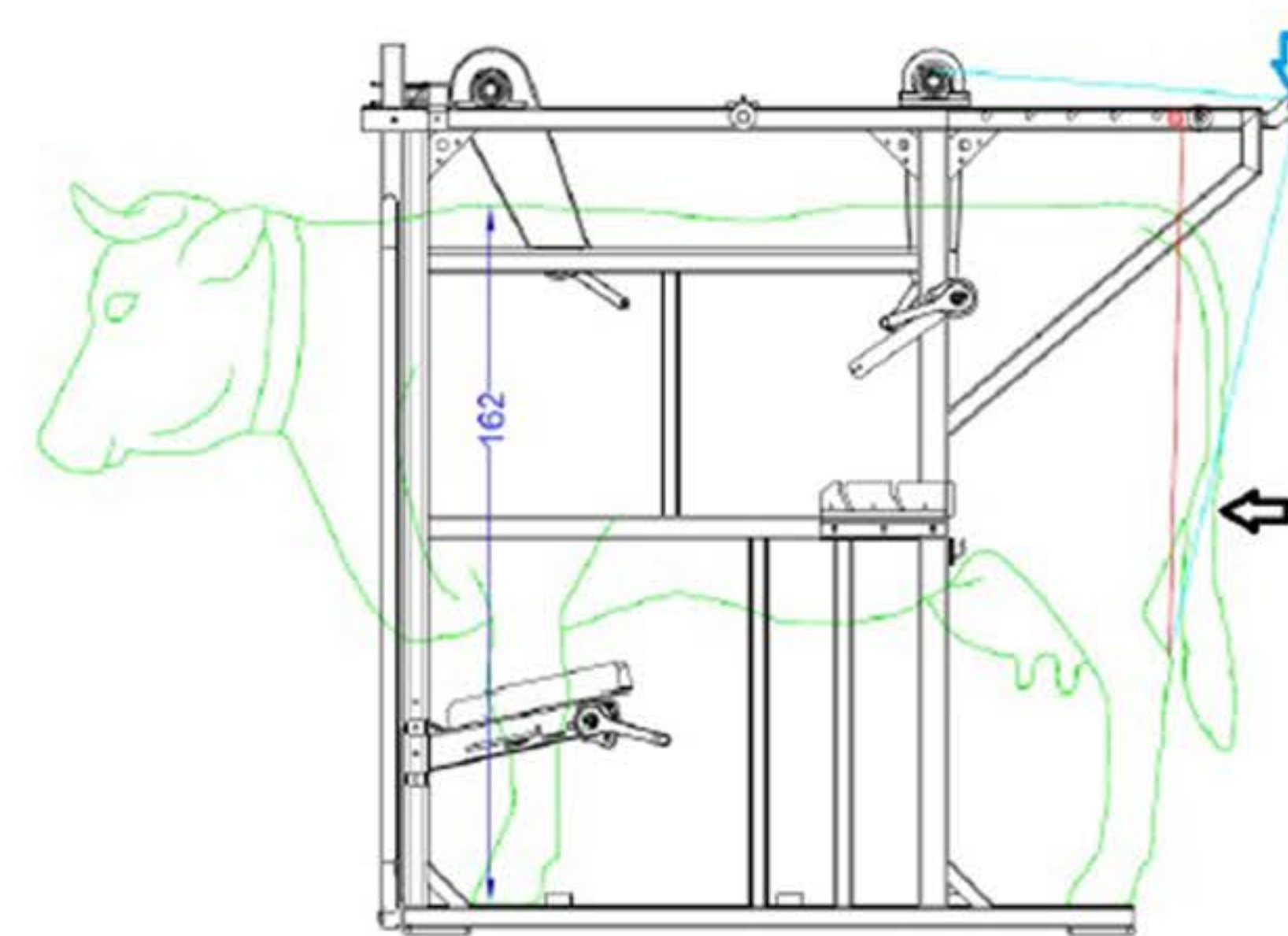
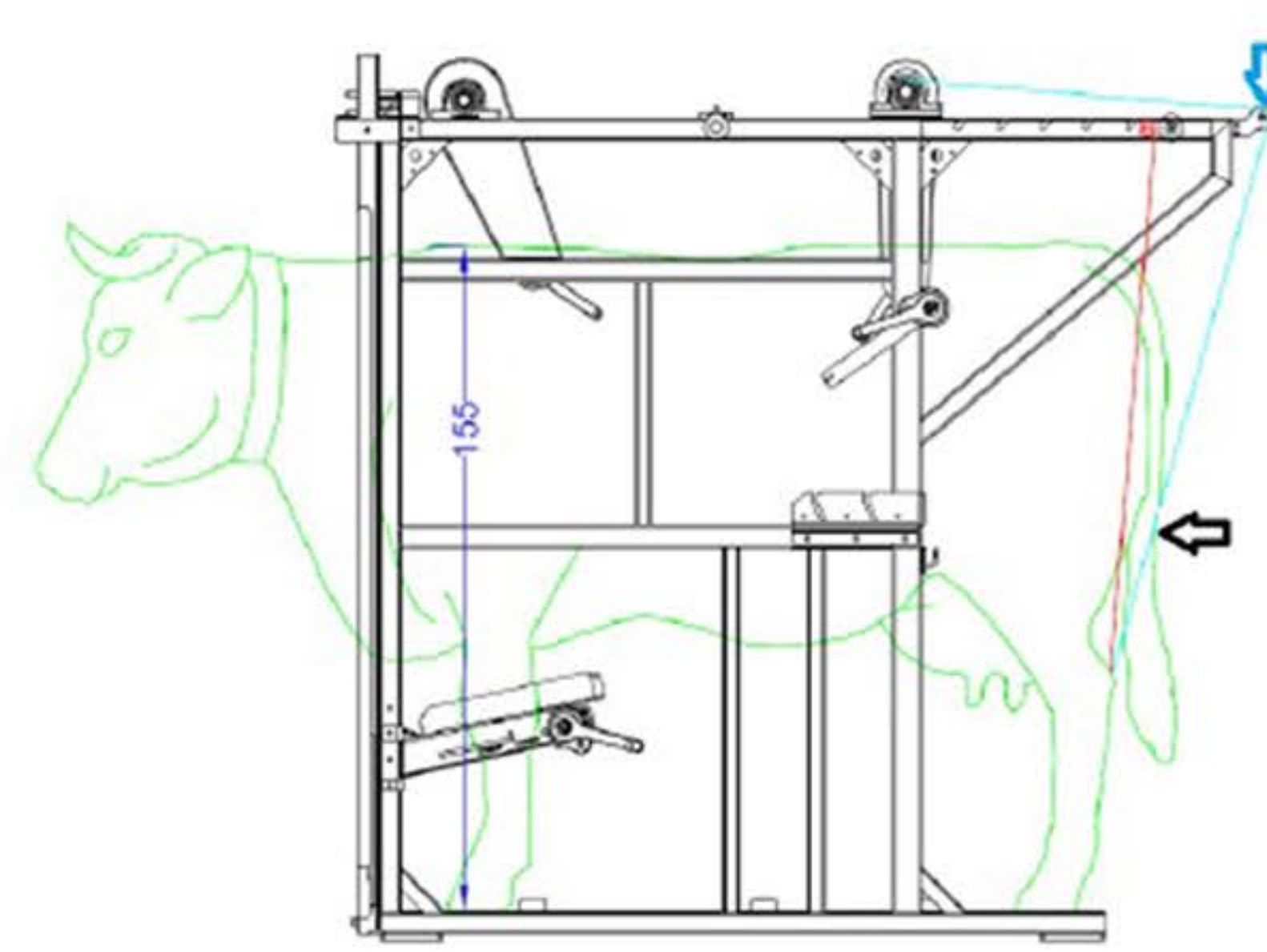
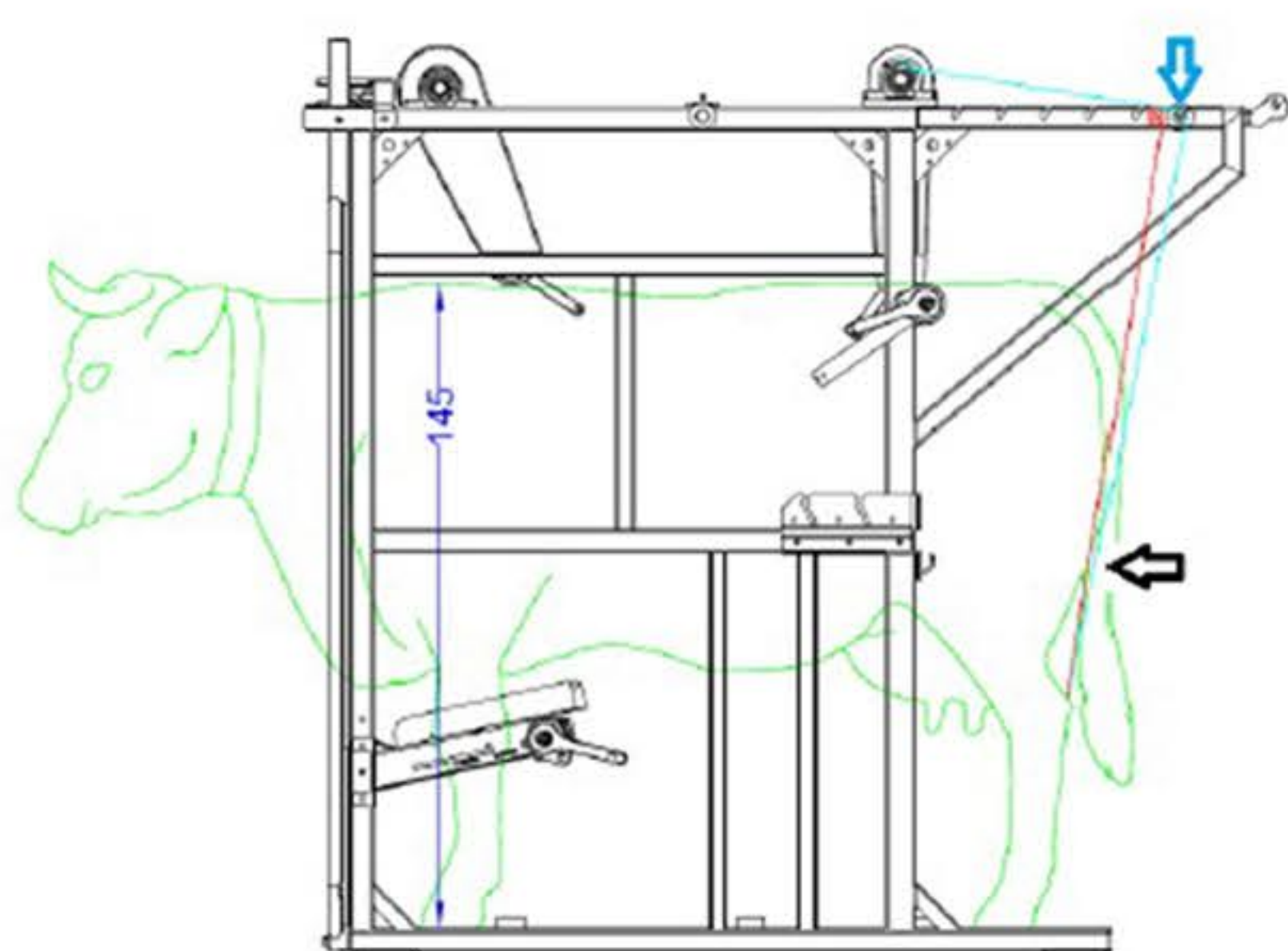
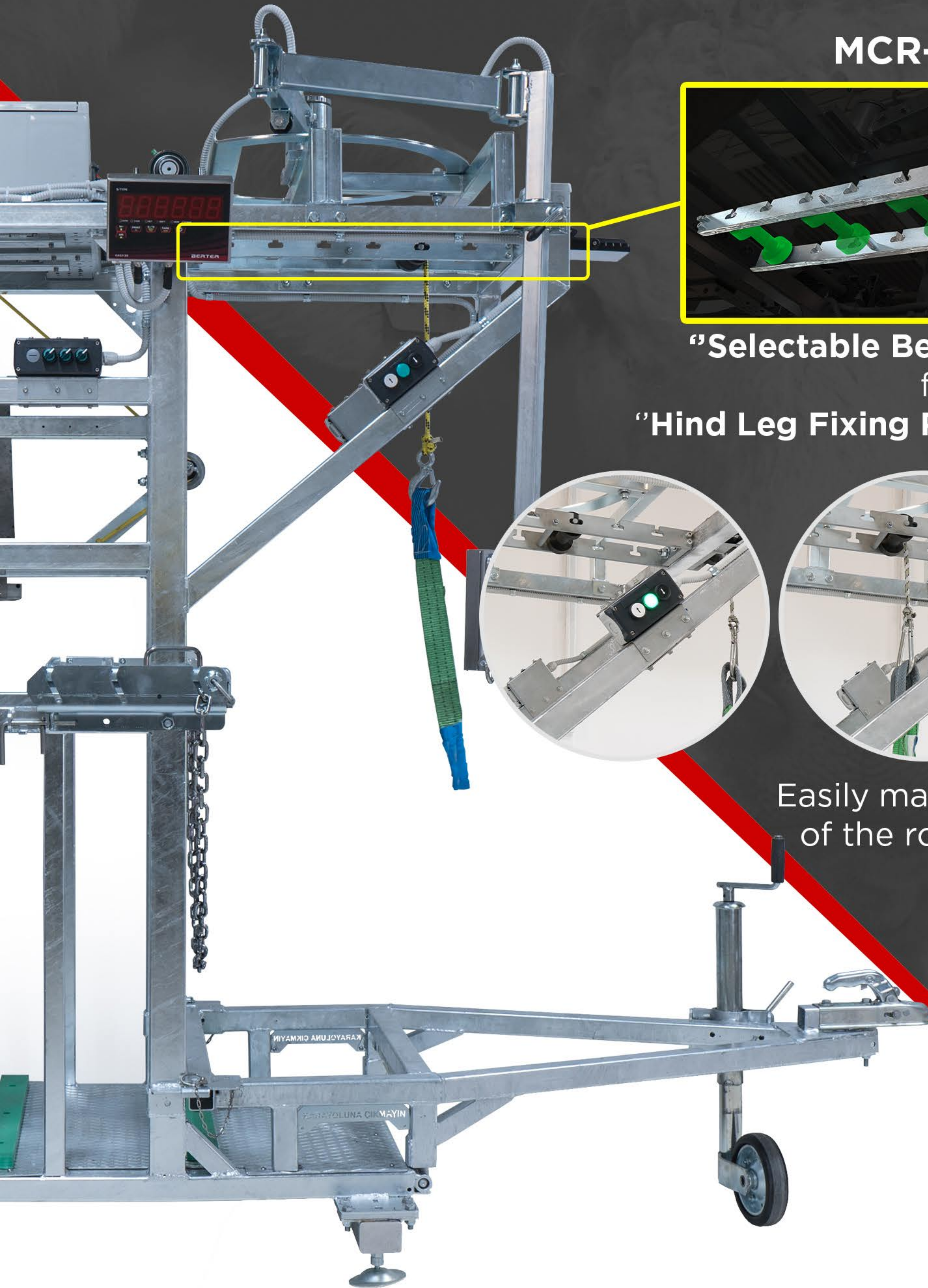
“Selectable Bearing Channels”

for

“Hind Leg Fixing Rope Support Reel”



Easily manually change the position
of the rope support reel according
to the animal size
without the need a tool

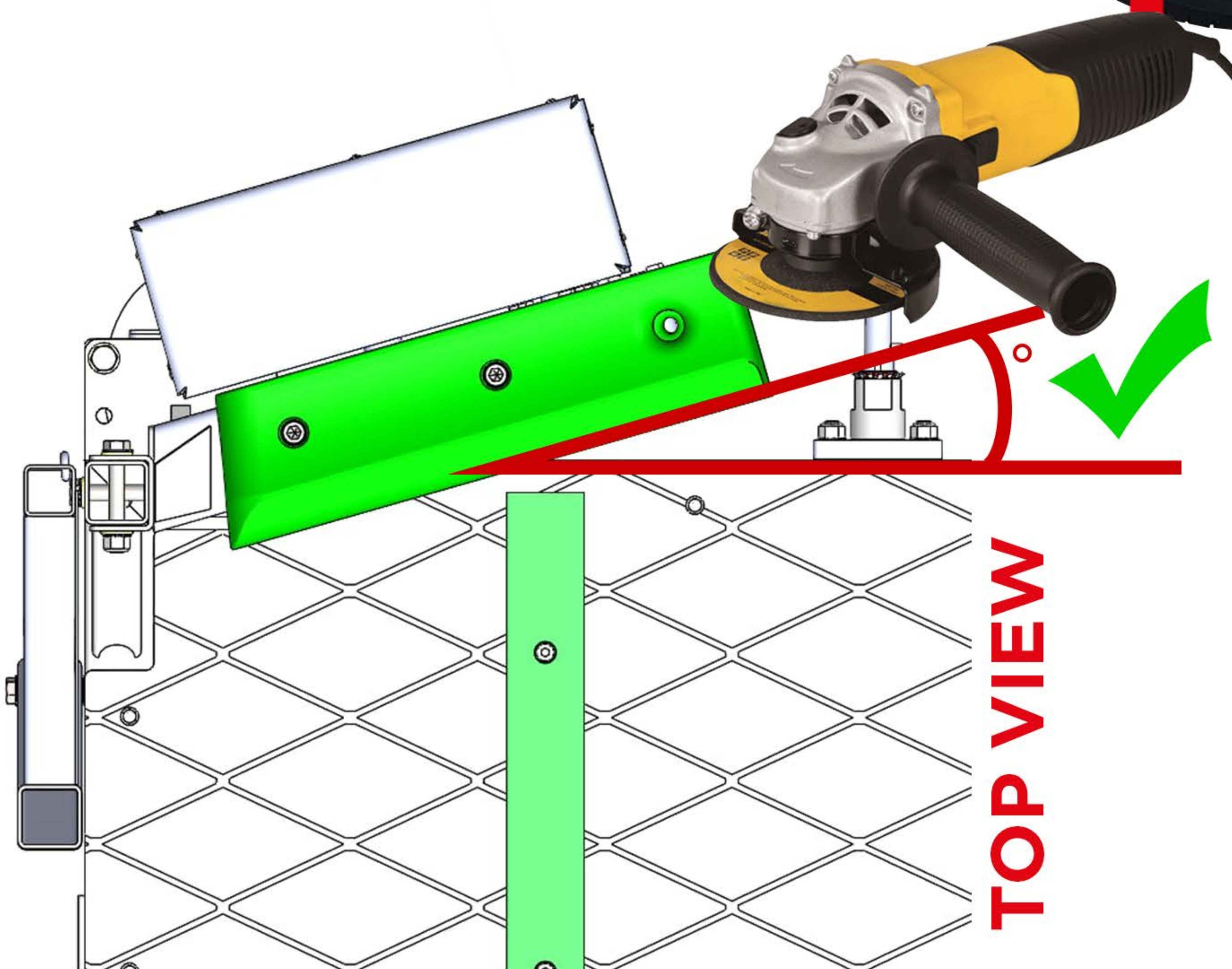
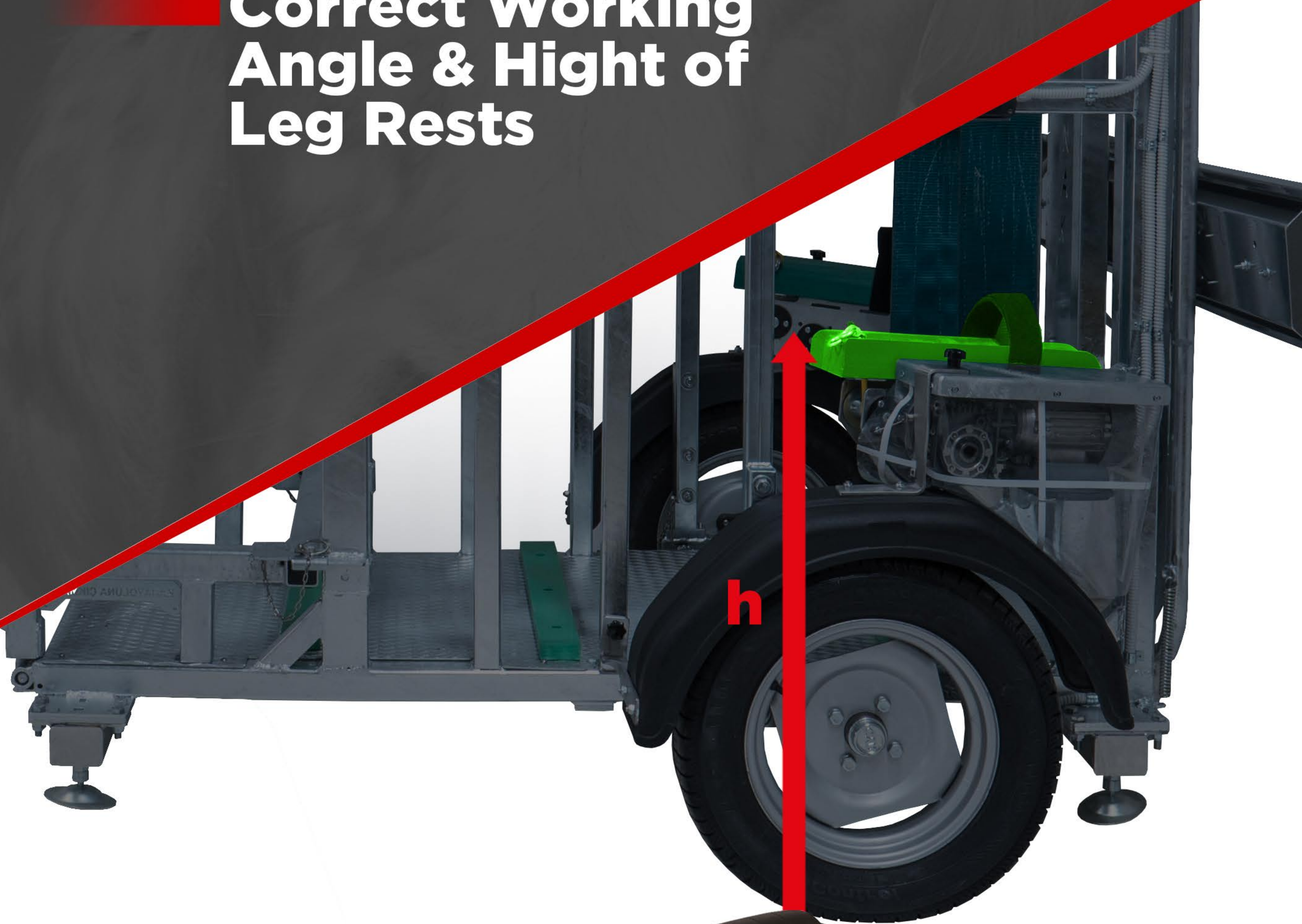


TOINAK

FEATURS

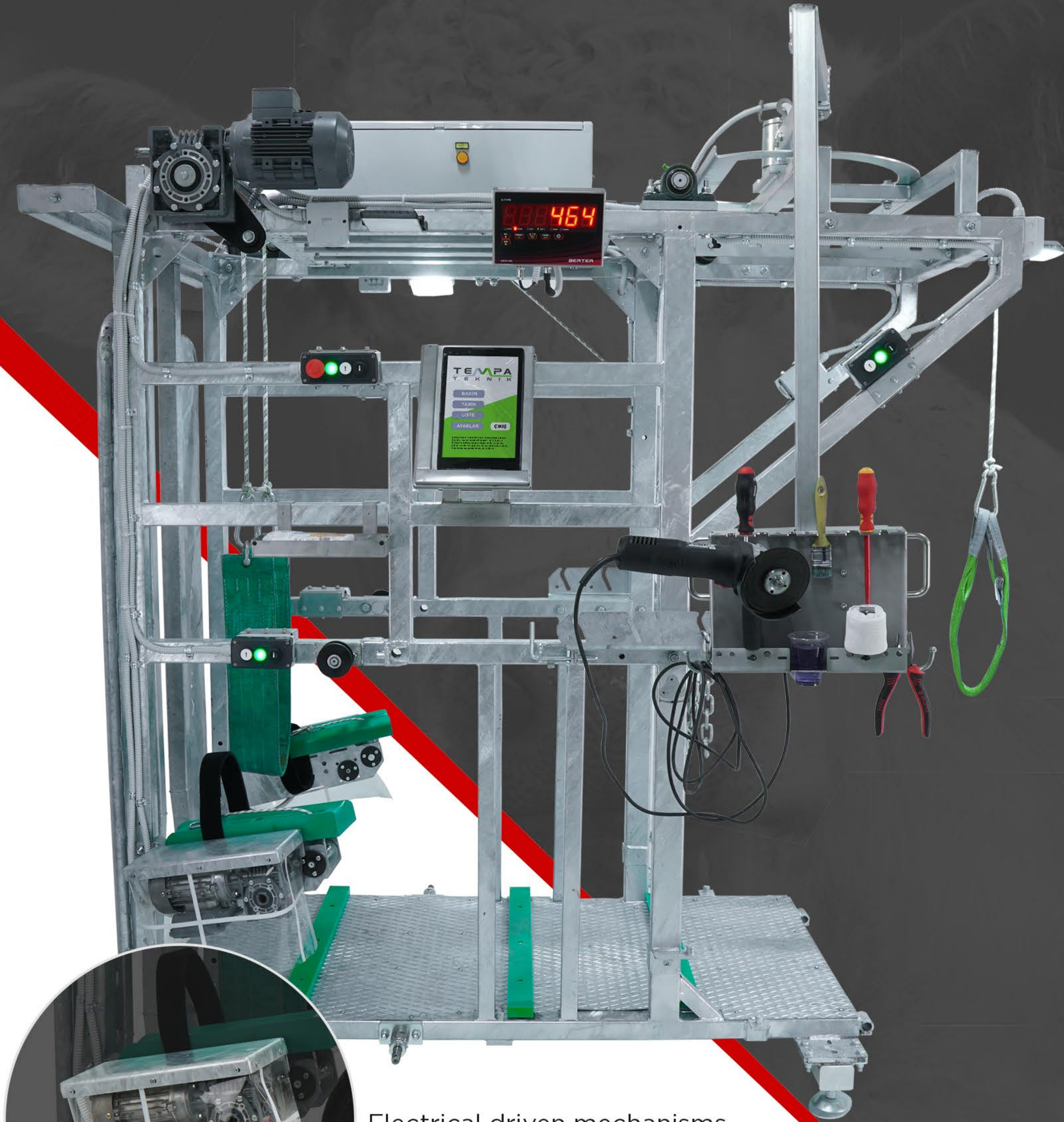
FEATURES

Correct Working Angle & Height of Leg Rests



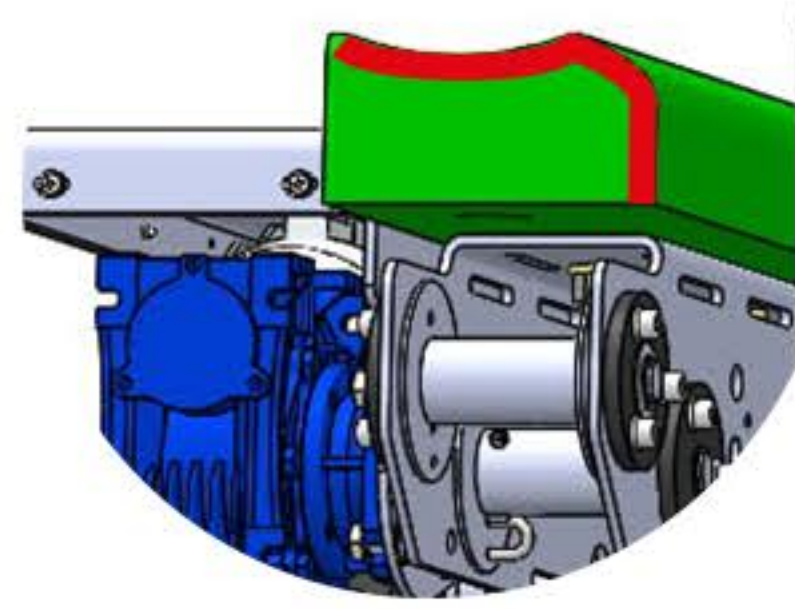
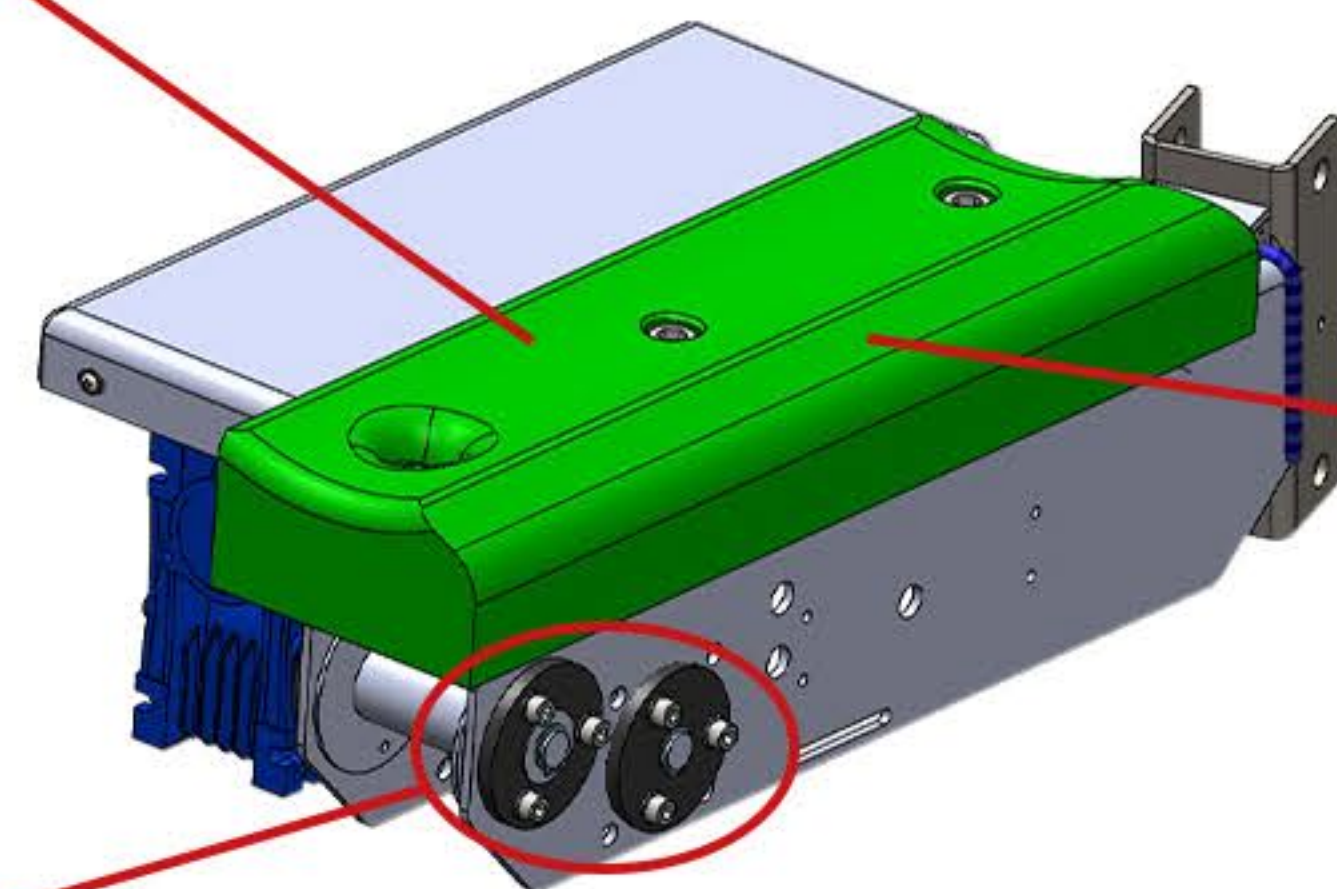
TOINAK

No any wood part has been used against breakage, bad smells and decay problems.

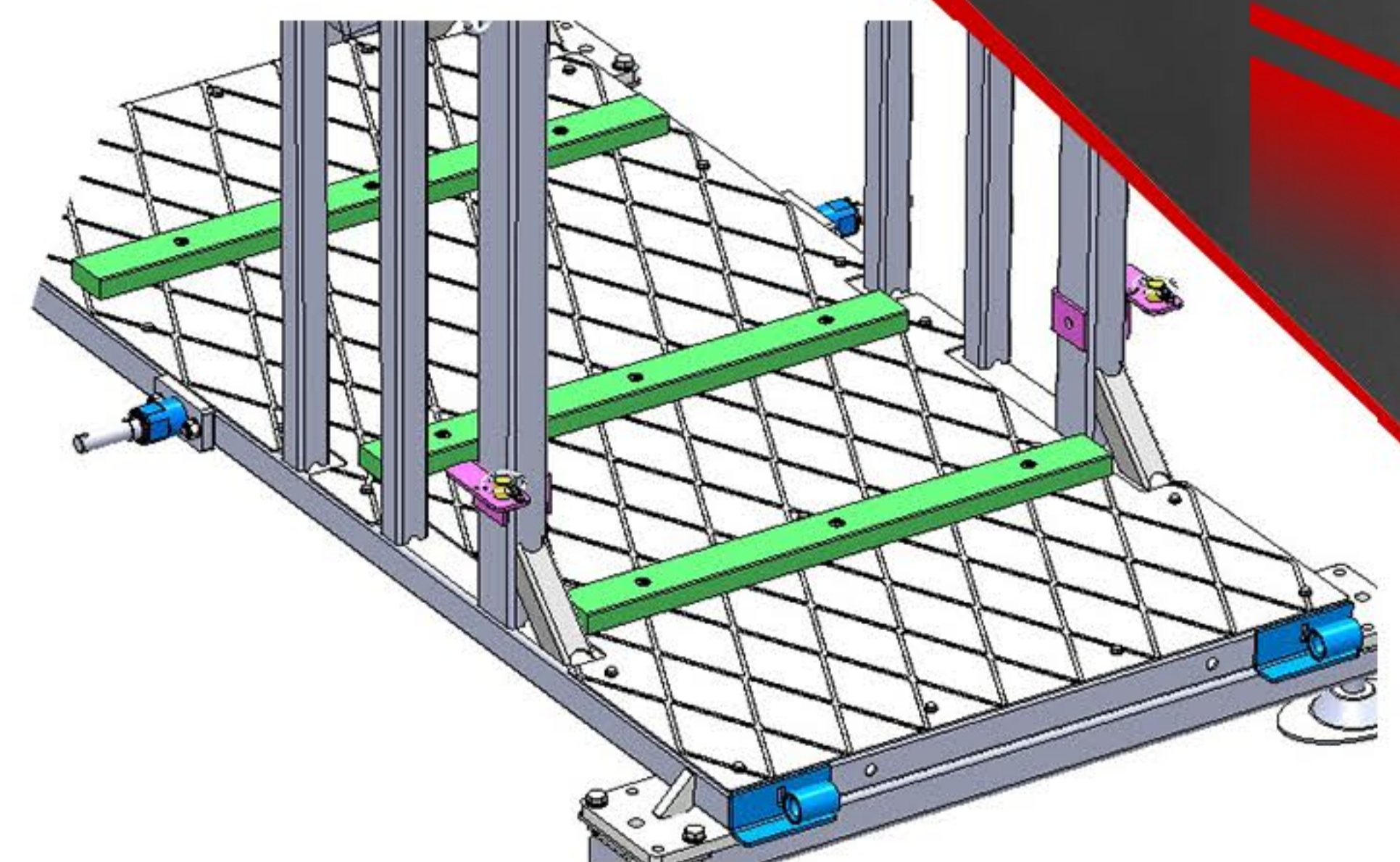


Electrical driven mechanisms help to put front legs onto leg rest easy and quickly

Leg rests are especially shaped for health of animals leg.



Leg rests are made of C-Delrin against breakage, bad smells and decay problems.



Plastic (C-Delrin) "Foot Support Bars" help animals to stand up

Dust&Water proof and Grease free bearing

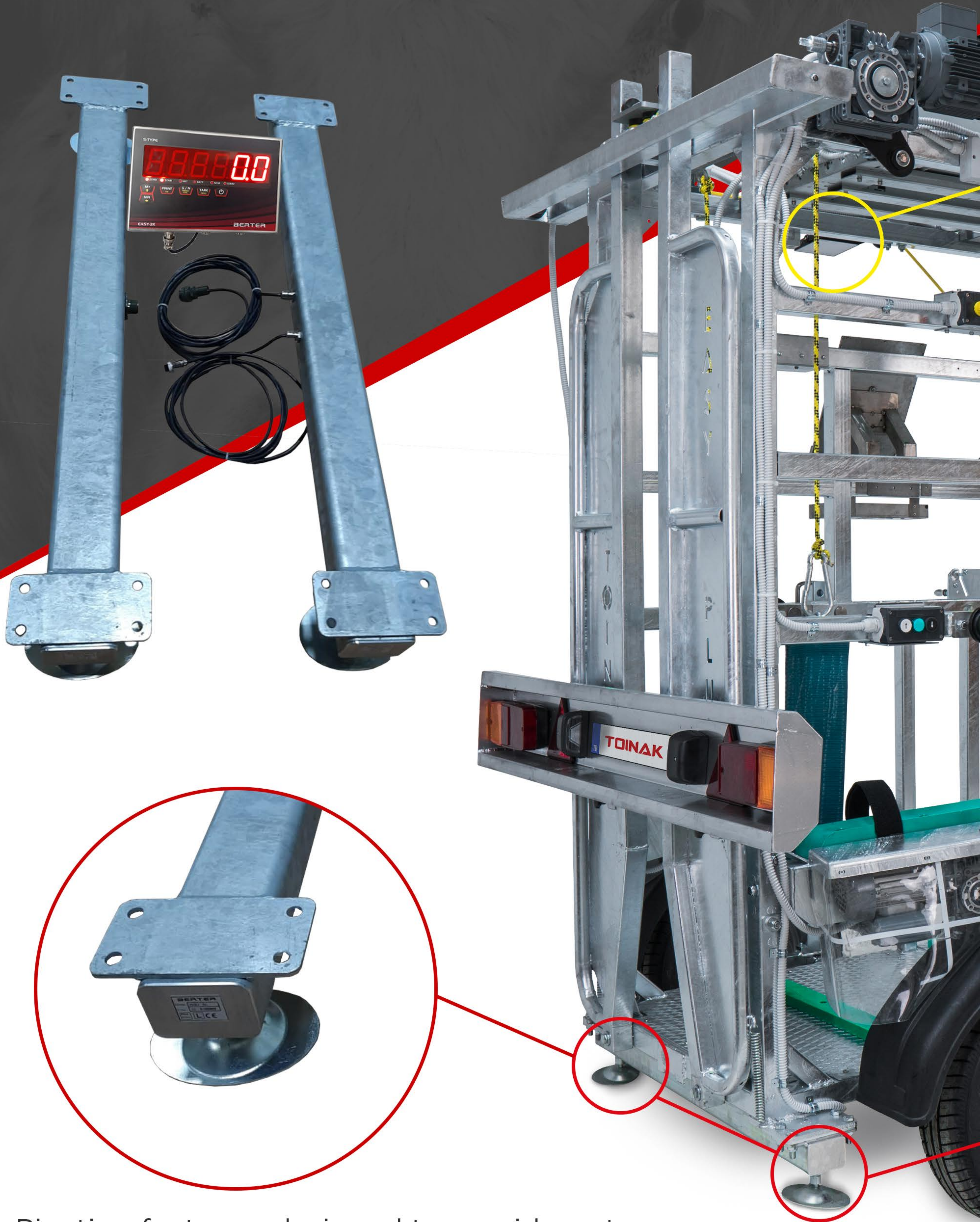


Hook&Loop tape with 50mm width help to fasten front legs to leg rest very easy and quickly but stongly too

FEETURES

Option **Indicator & Weighing Bars**

Weighing Bars with 2 tons capacity are submitted with indicators with 38mm LED Display and IP67 Inox Case.



Pivoting feet are designed to provide a strong positioning on uneven floors.

Option **LED Floodlights That Illuminate
The Right Working Areas**

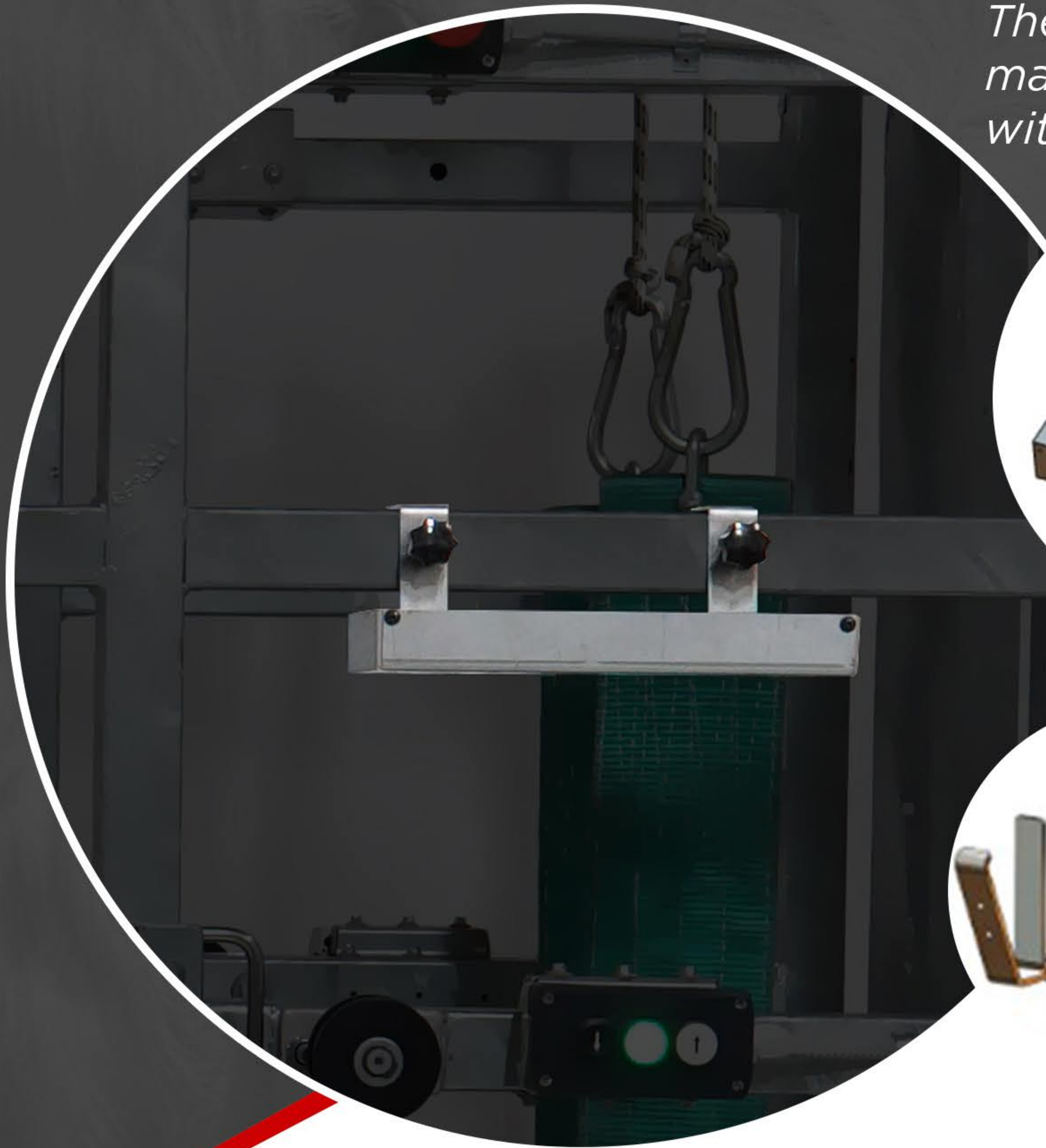


Every LED Floodlight has own on/off switch

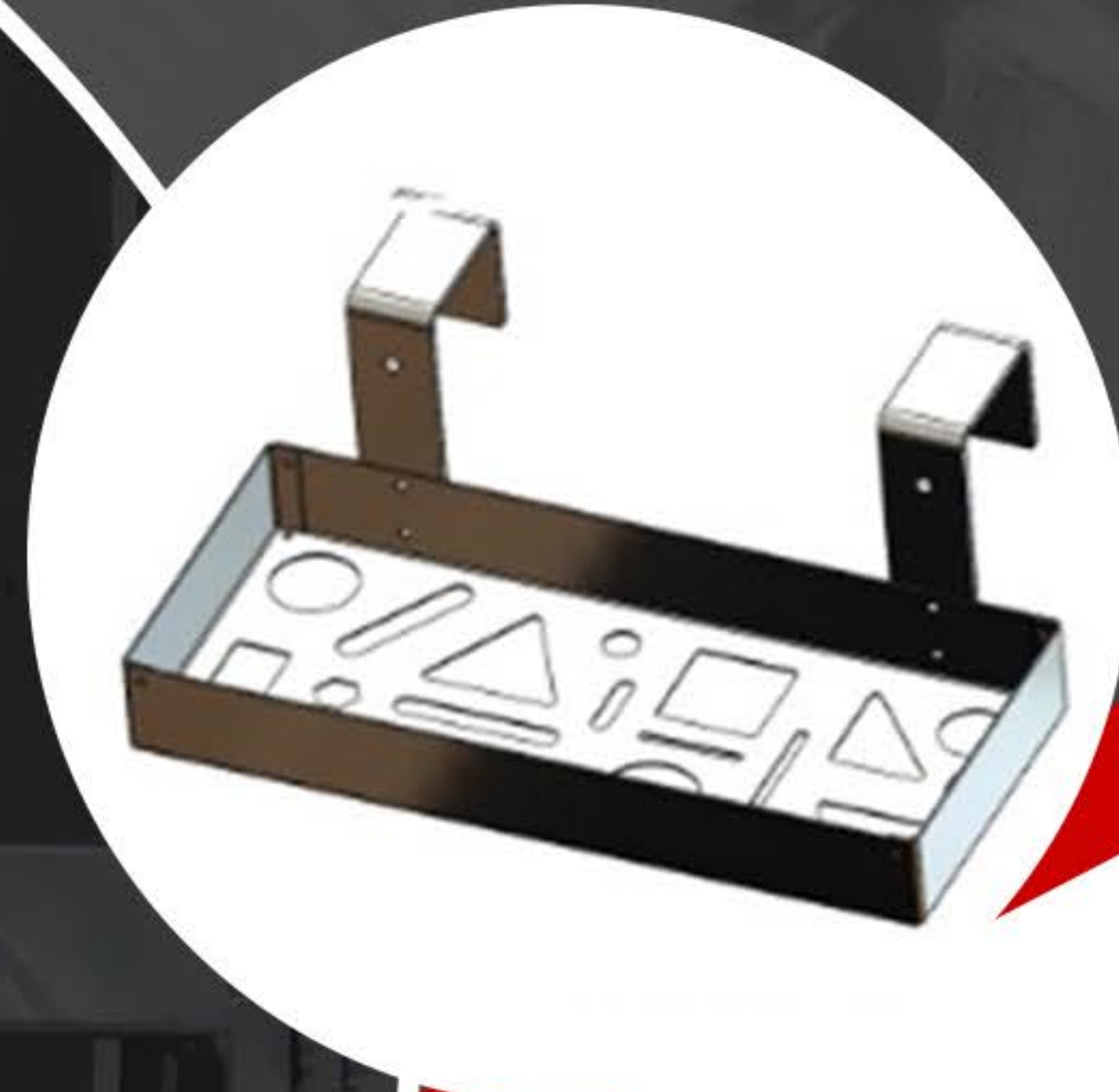
ACCESSORY

Standart* Material Rack

*Only one each is submitted in standart version.



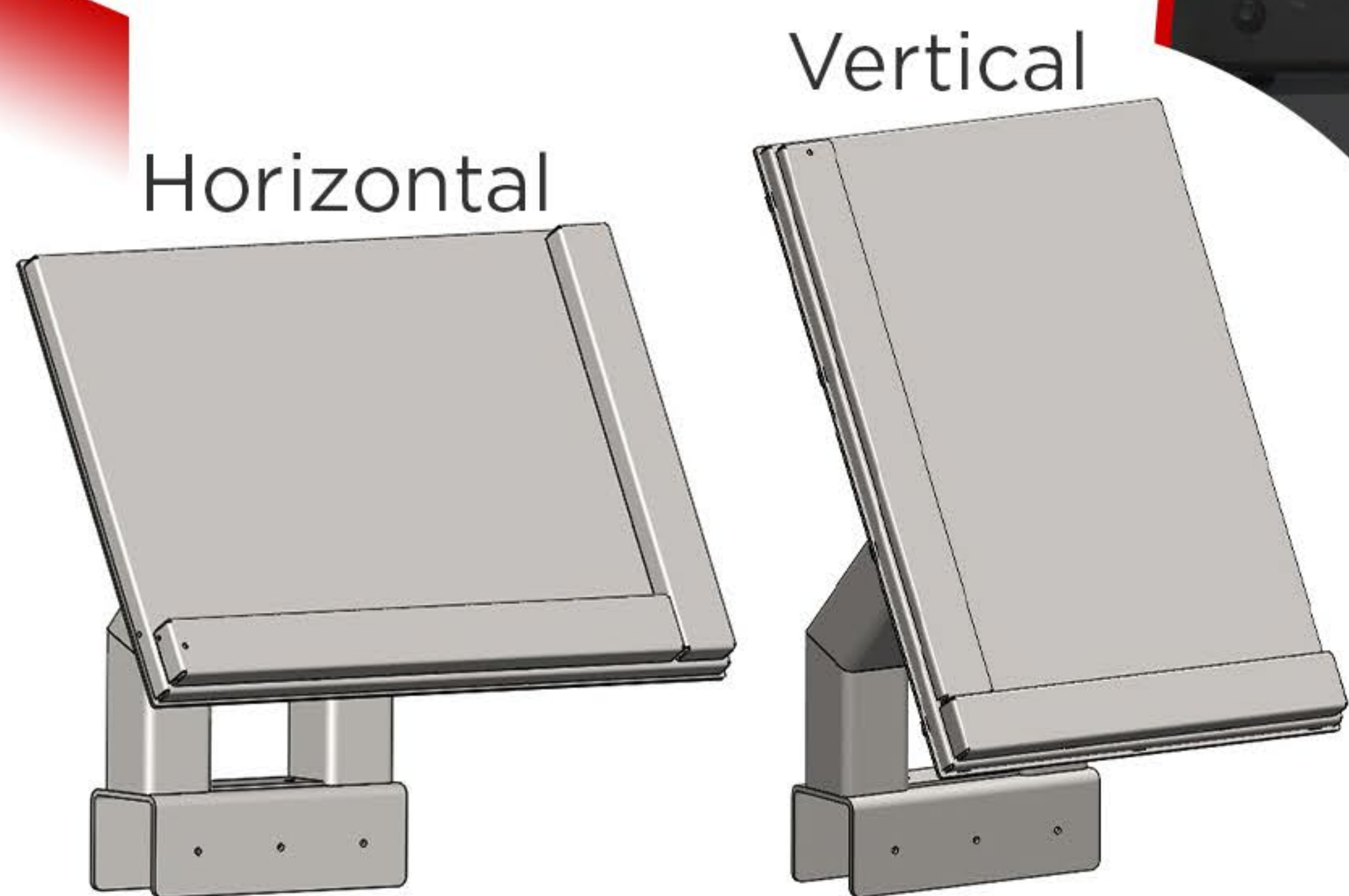
The geometric holes in the shelf make it possible to clean by washing with water



with Spider Hanger

Notepad Holder Stand Option

It can be washed and cleaned with water.



Two different mounting possibilities

↑
Easy to Replace & Mounted

Option Swivel Working Table



It is not necessary to use another carrier for antiseptics or hand tools



No more cable tangling and scratching problems !



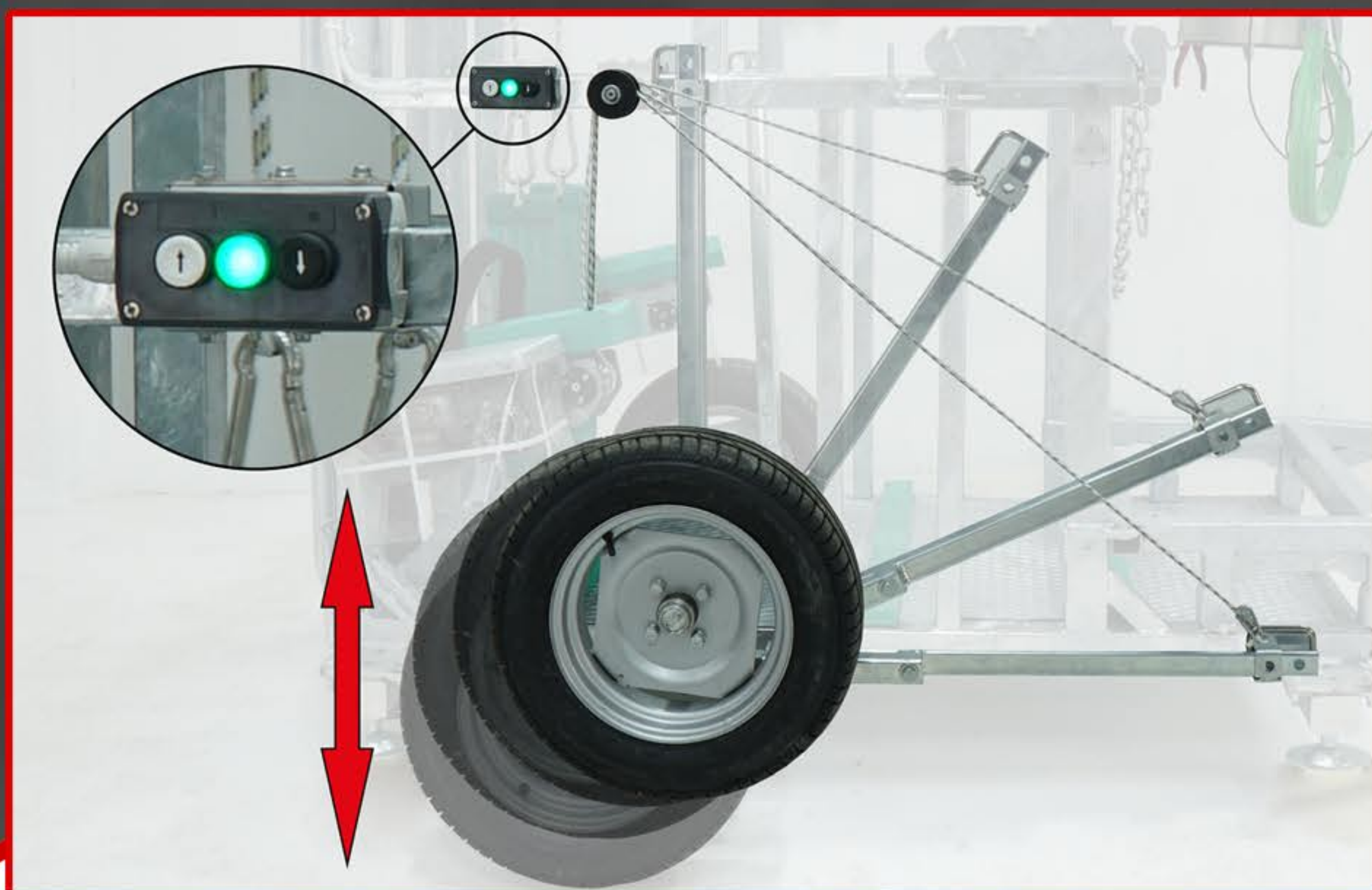
Swivel Arm with inox Working Table and Electric Outlets



Option **Transport Equipments**

Very Stable Road Performance
without any tool can be easily assembled and
disassembled.

All required parts are **E-Certified**



It could be done manually, but if
desired, the front leg motors can be
used to lift the
Wheel Holder Chassis

Easily demountable E-Certified bumper
with rear tail lights.



To remove it, just take out the
2 handwheels.

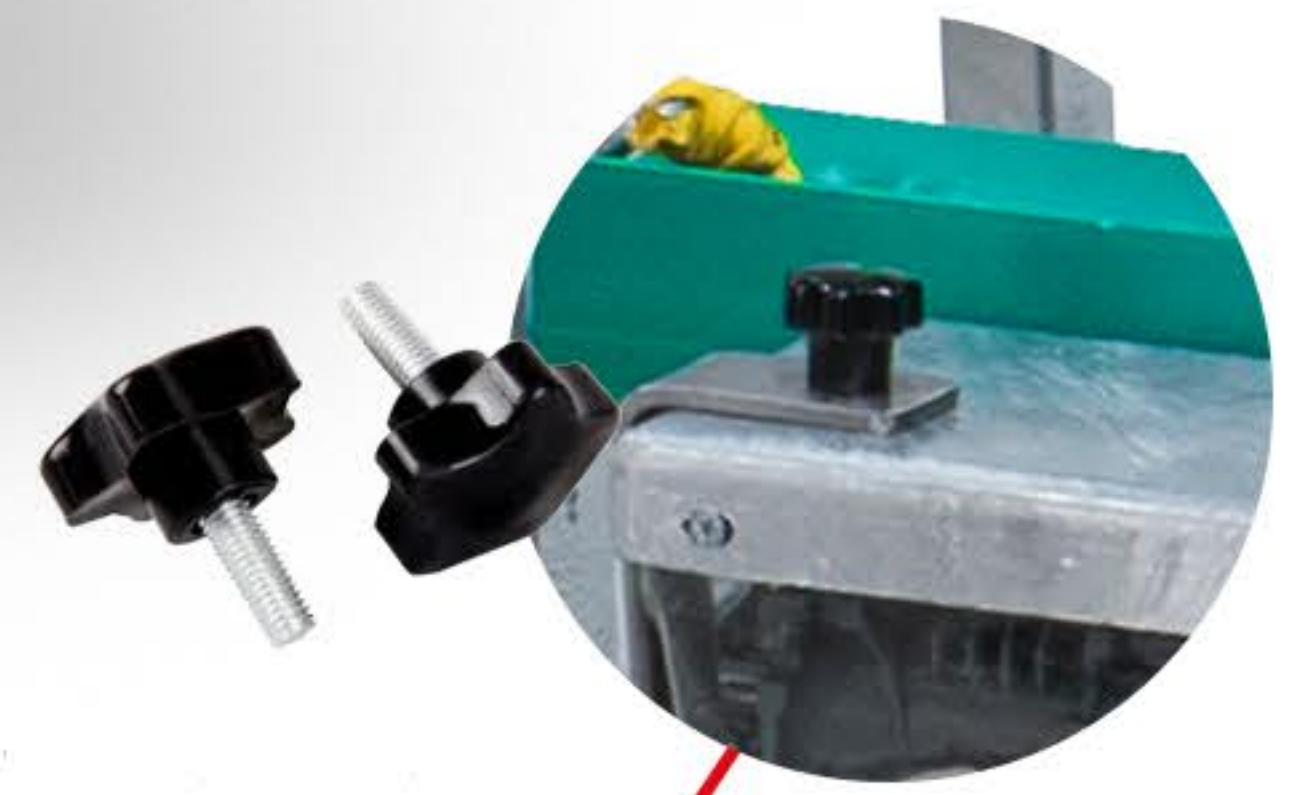




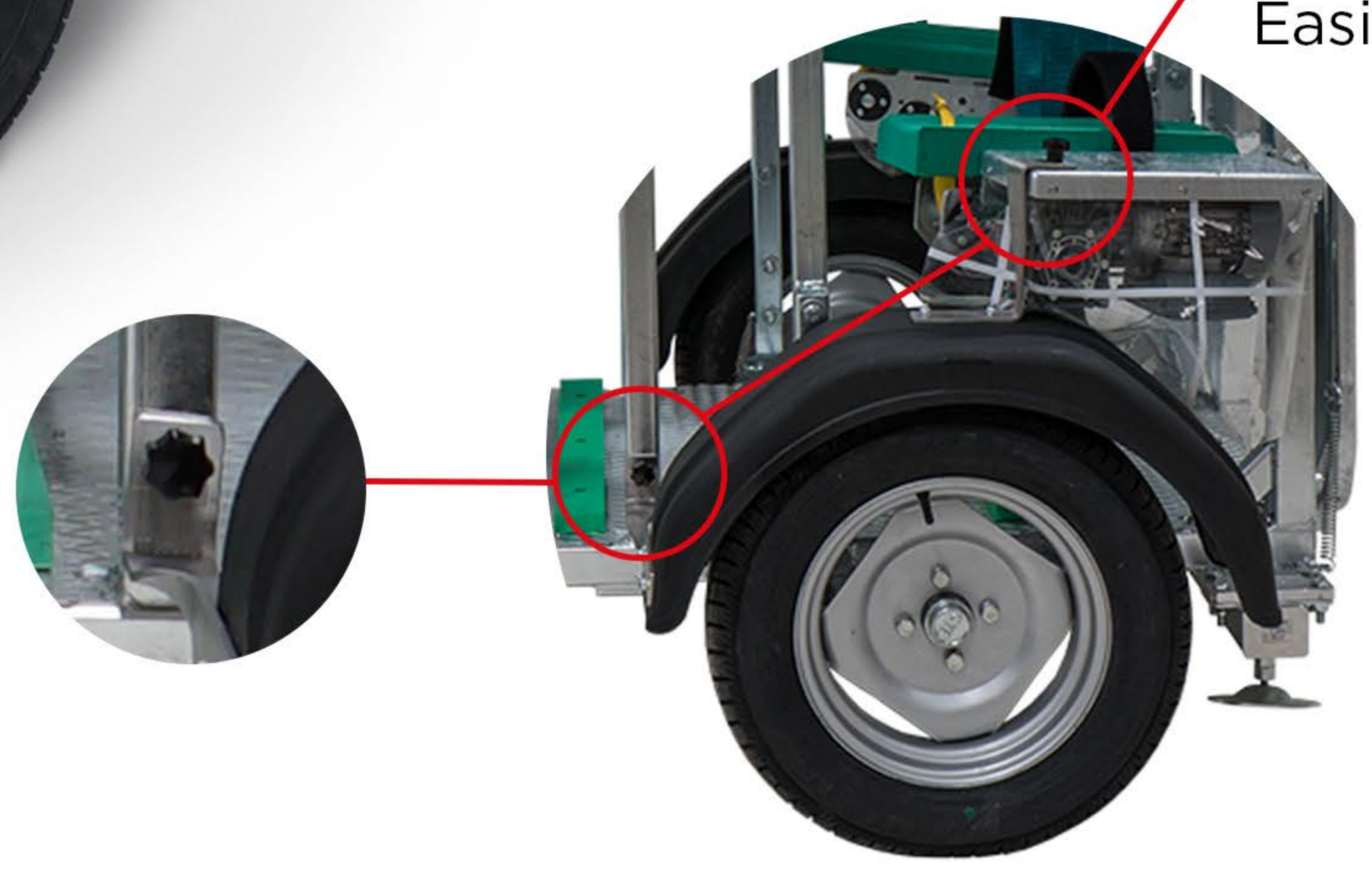
**Trailer Coupling
E-Certified**



Jockey Wheel



Easily demountable fenders



TRANSPORT

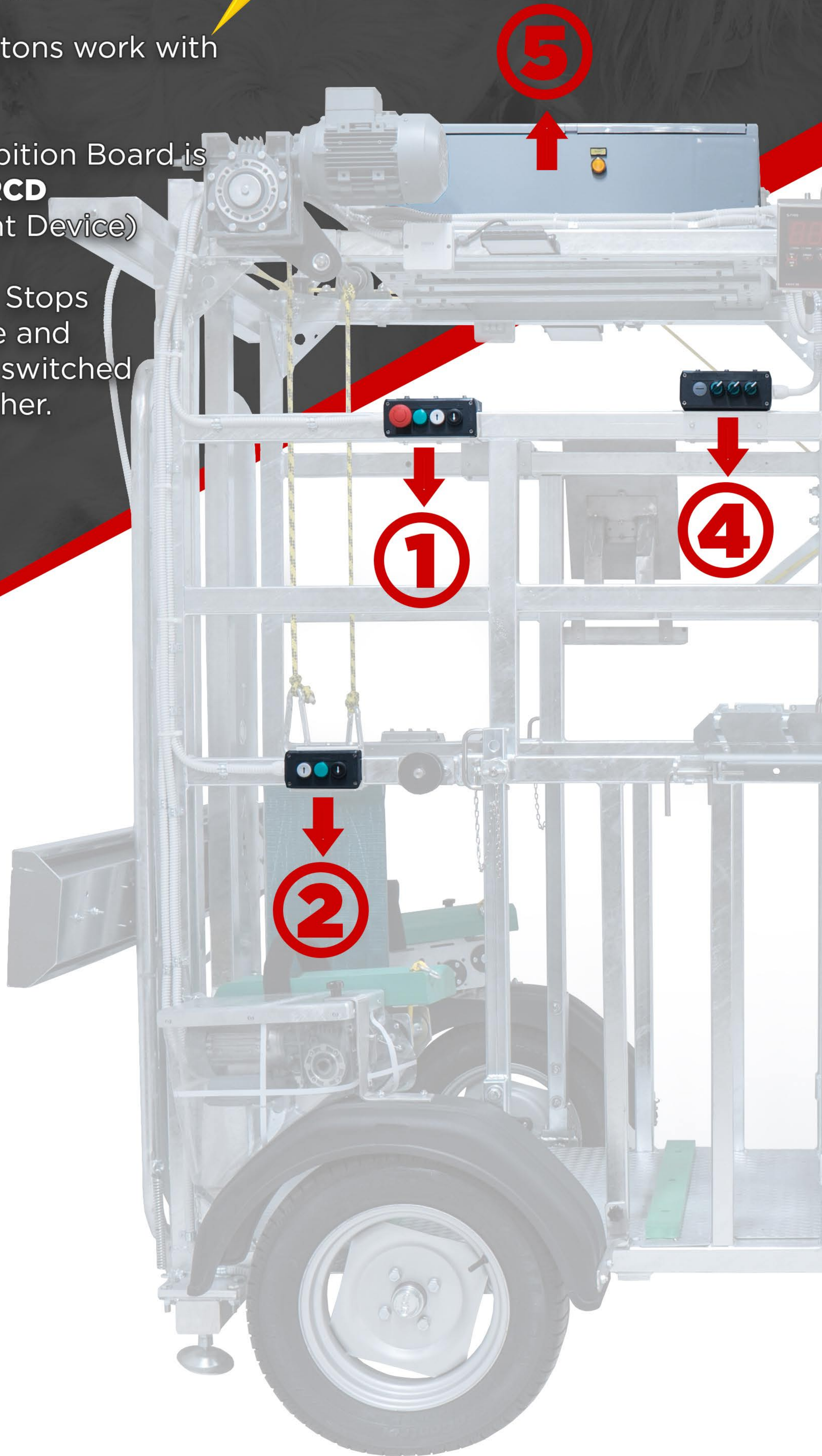
Minimized Electric Shock Risk



All electrical buttons work with **24Vdc** Voltage

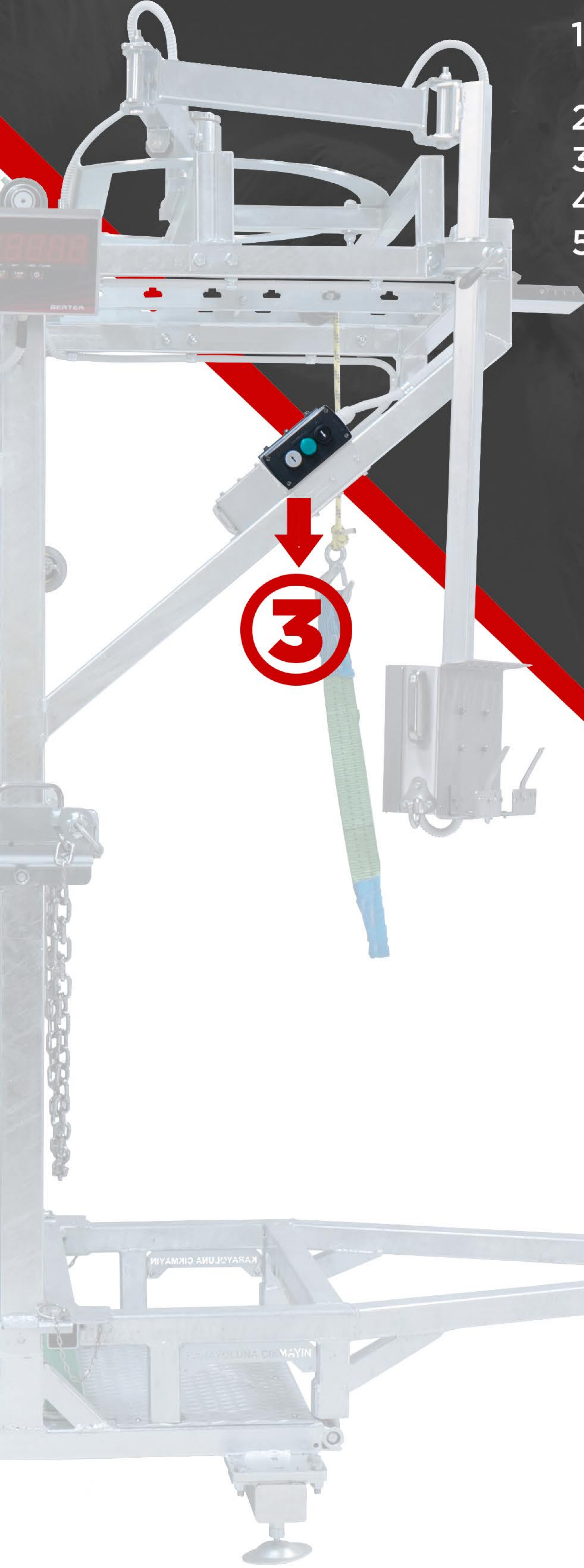
Electrical Distribution Board is equipped with **RCD** (Residual Current Device)

At the Start and Stops of motors, phase and neutral lines are switched on and off together.



User Friendly Placement of Electrical Control Devices

1. Body Holder Lift Buttons and Emergency Stop Button
2. Front Leg Pull Buttons
3. Hind Leg Fixing Lift Buttons
4. Lighting On/Off Buttons
5. Electrical Distribution Board



Pressing any Emergency Stop Button on both sides energy is completely shut off (phase and neutral)

SECURITY



TOINAK[®]
a brand of **TEMPA TEKNİK**

Head Office & Factory

Marmaracık Mh. 1984. Sk. No:12 Ergene / TEKİRDAĞ
+90 282 673 68 60
satis@toinak.com



TEMPA
TEKNİK

İstanbul Office

Esenehir Mh. İlkyaz Sk. No:32 Ümraniye / İSTANBUL
+90 216 510 48 85
sales@toinak.com

www.toinak.com
www.templeteknik.com